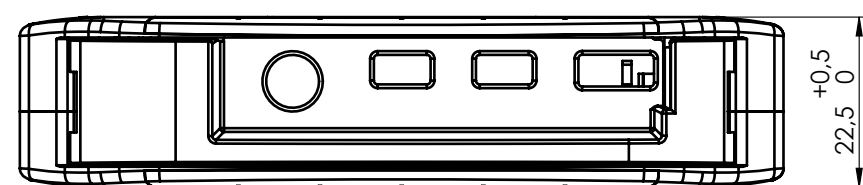
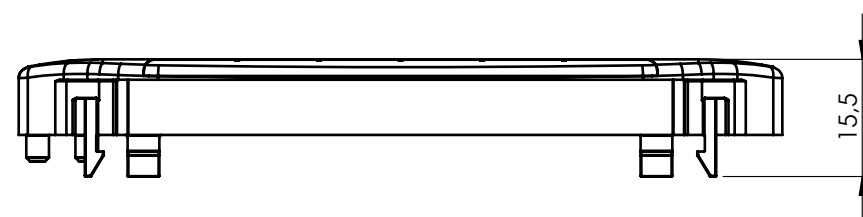
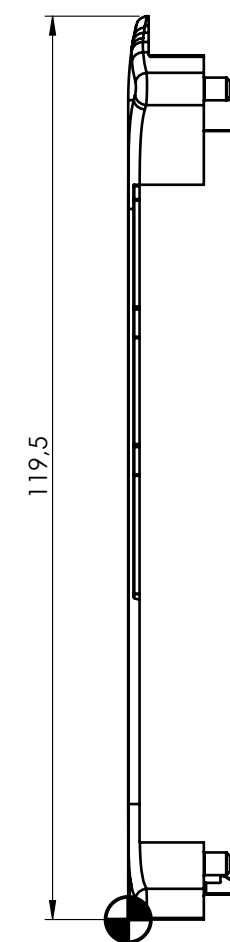
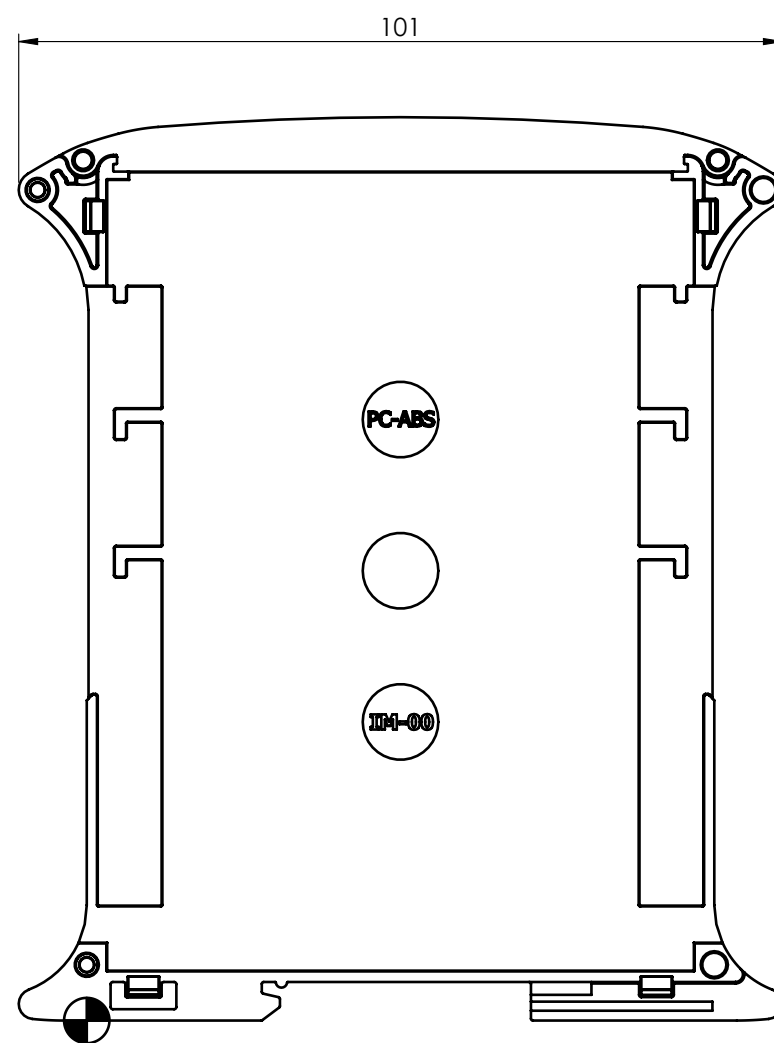


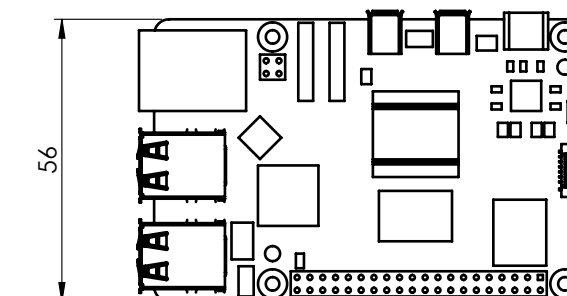
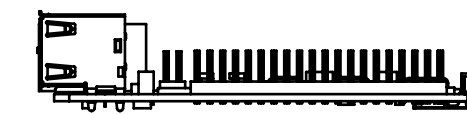
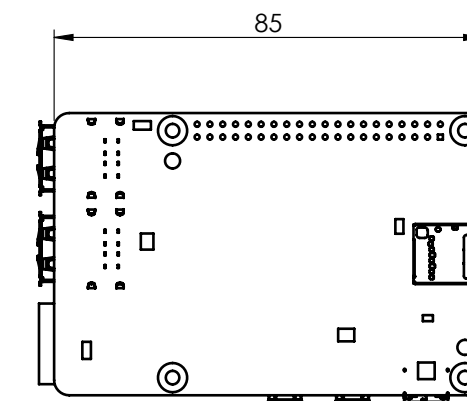
SECTION A-A



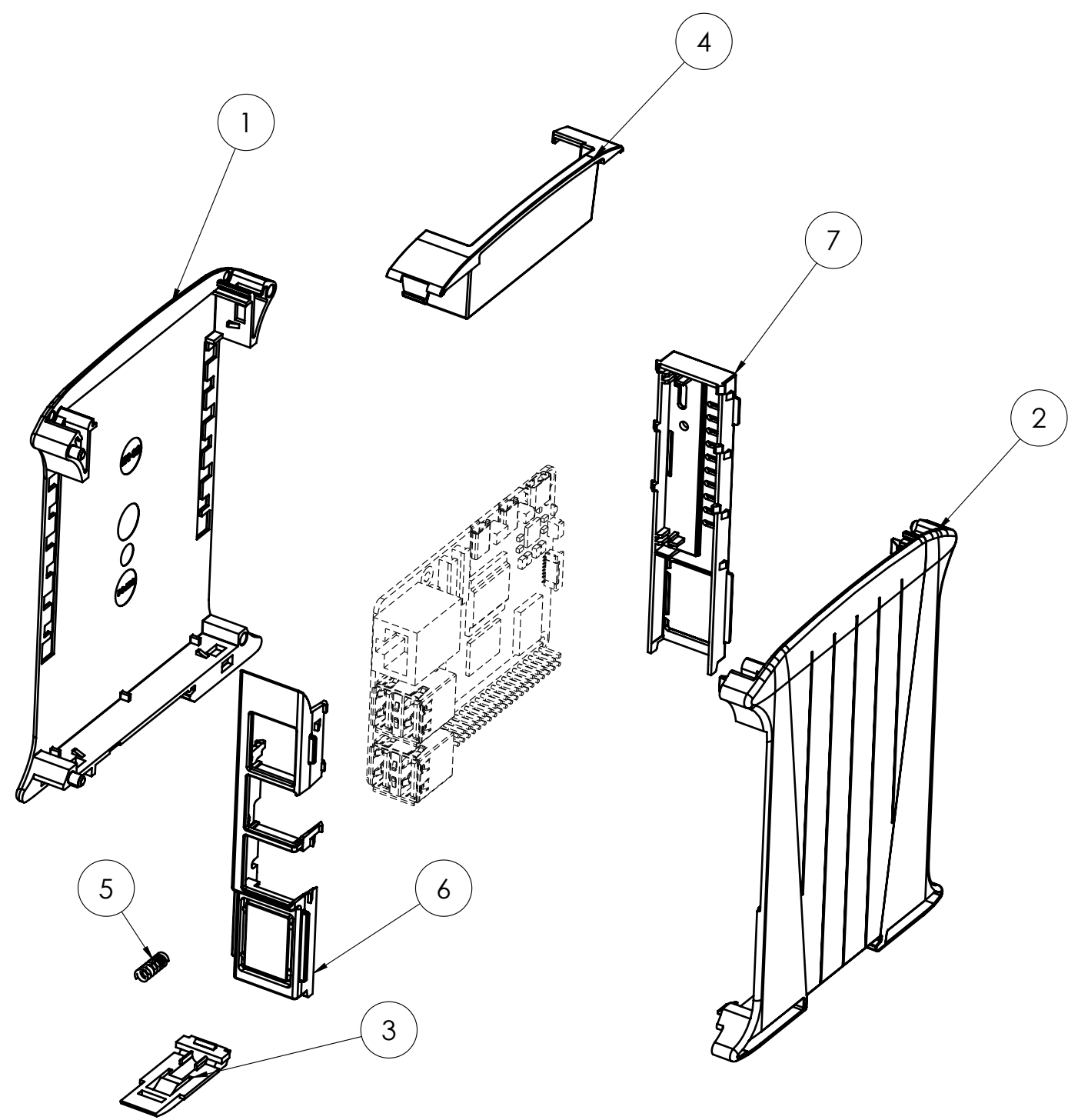
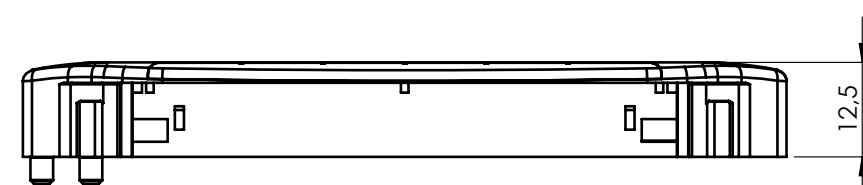
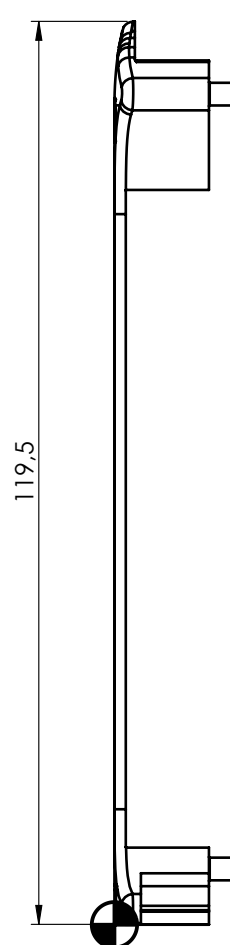
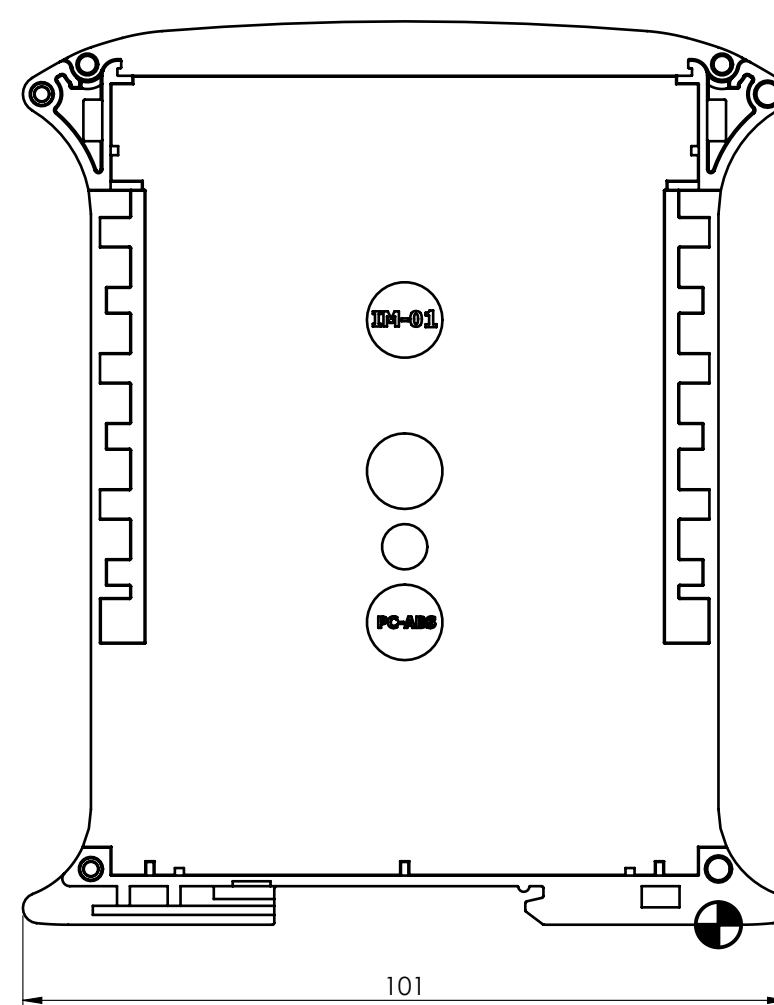
COVER RAILBOX



PCB RASPBERRY PI5



BASE RAILBOX



- General information:
- Workpiece zero point for mechanical processing
 - Minimum recommended radius for machining = R1.0 mm
 - Mounting rail like EN 60715: TH 35-15
 - Recommended PCB outline on www.italtronic.com

RIF.	Q.TY	DRAWING	DESCRIPTION
1	1	2_110_00033	BASE RAILBOX 12.5 MM 3L
2	1	2_110_00089	COVER MULTILEVEL RAILBOX 10 MM 3L
3	1	2_110_00032	HOOK RAILBOX
4	1	2_110_00037	FRONT PANEL FOR RAILBOX RASPBERRY PI 4
5	1	2_110_00011	SPRING FOR HOOK RAILBOX
6	1	2_050_00047	ACCESSORY LEFT RAILBOX RASPBERRY PI B+/3
7	1	2_110_00124	ACCESSORY RIGHT RAILBOX PI5

General Tolerance UNI EN 22768/1 Media (m)						Sheet:
from 0.5 to 3	from 3 to 6	from 6 to 30	from 30 to 120	from 120 to 400		1
± 0.1	± 0.1	± 0.2	± 0.3	± 0.5		
Scale:	IM:	Drawn:	Checked:	Date:	Material:	Process:
1:1	--	M.S.	R.N.	14/11/2023		
	The present drawing cannot be reproduced or communicated to parties, even partially, without the authorization of Italtronic S.p.A. Italtronic reserves the right to protect its own rights according to the law.		Replaces the:	Derived from:	Weight:	Cod. Mold:
Dimension in mm			--	--	gr	--

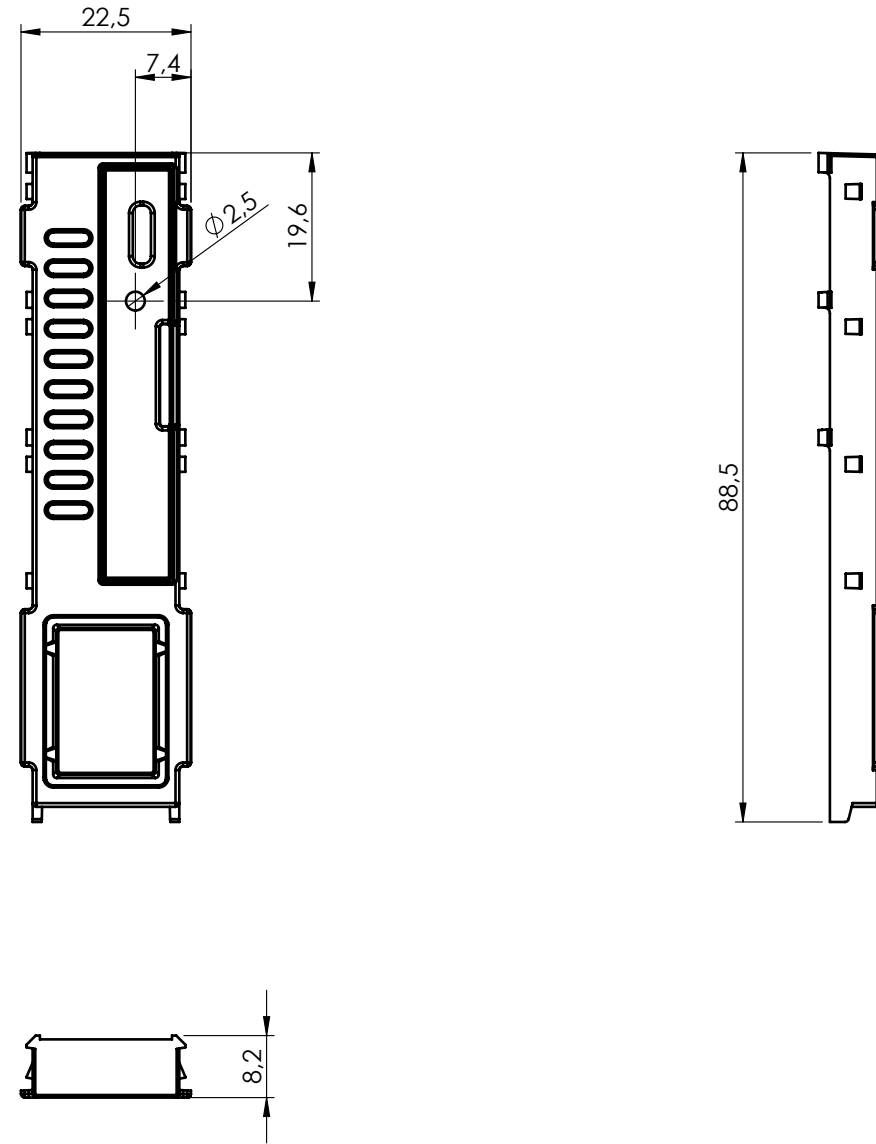
italtronic
enclosures for electronics
italtronic.com

Description:
KIT 22.5 RAILBOX RASPBERRY PI 5
KIT 22.5 RAILBOX RASPBERRY PI 5

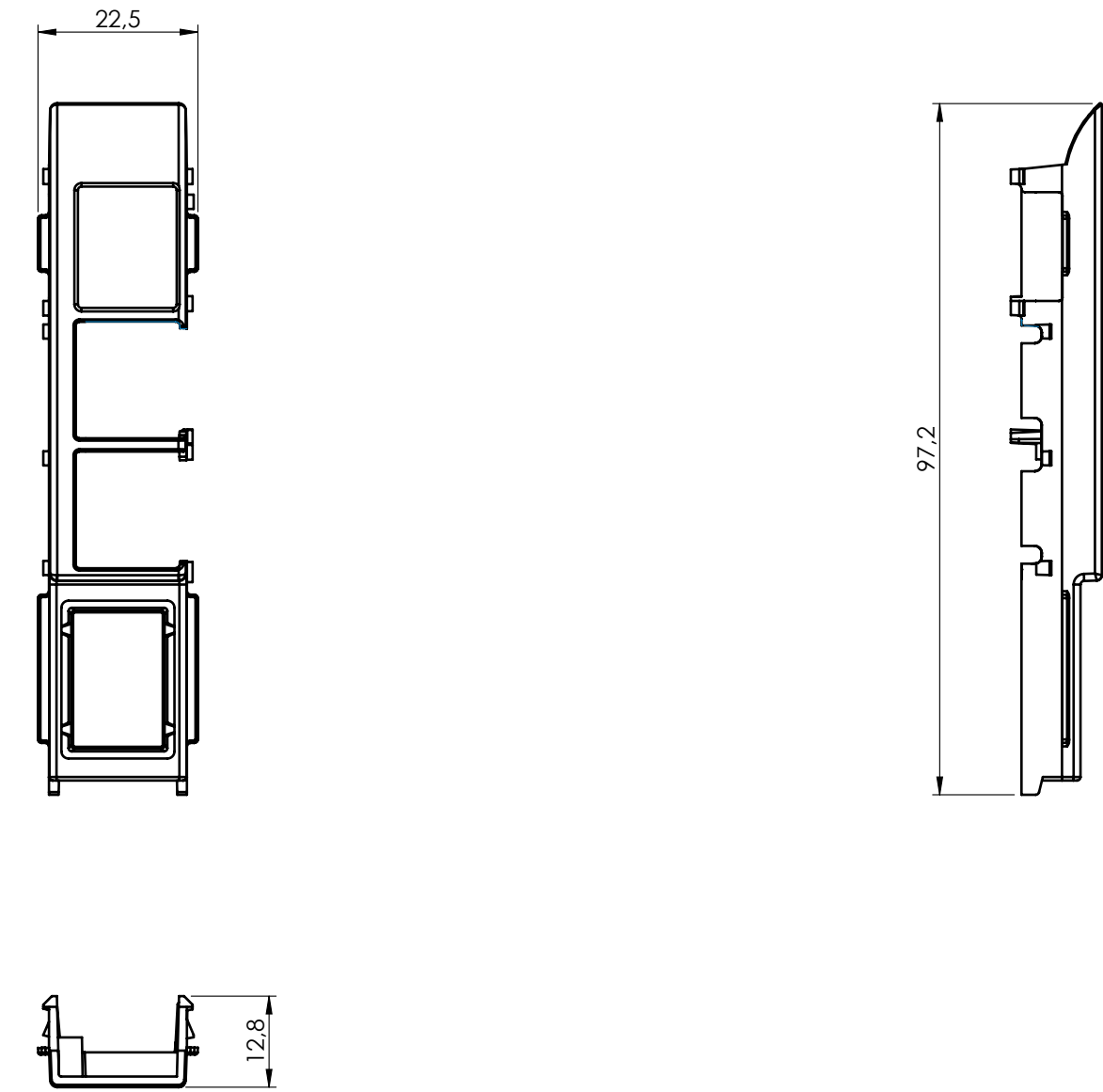
Drawing nr.:
3_050_00042

Rev.:
01 A2

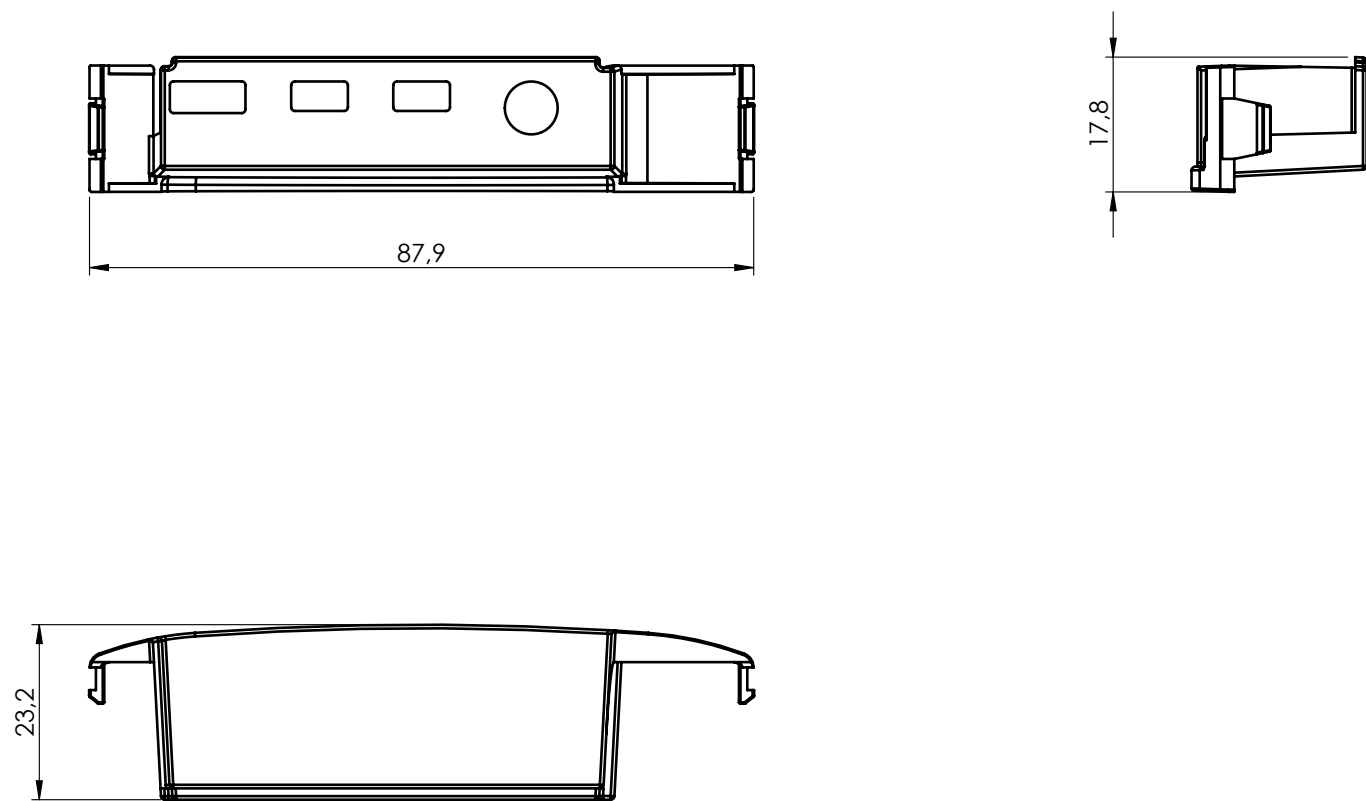
ACCESSORIO DX



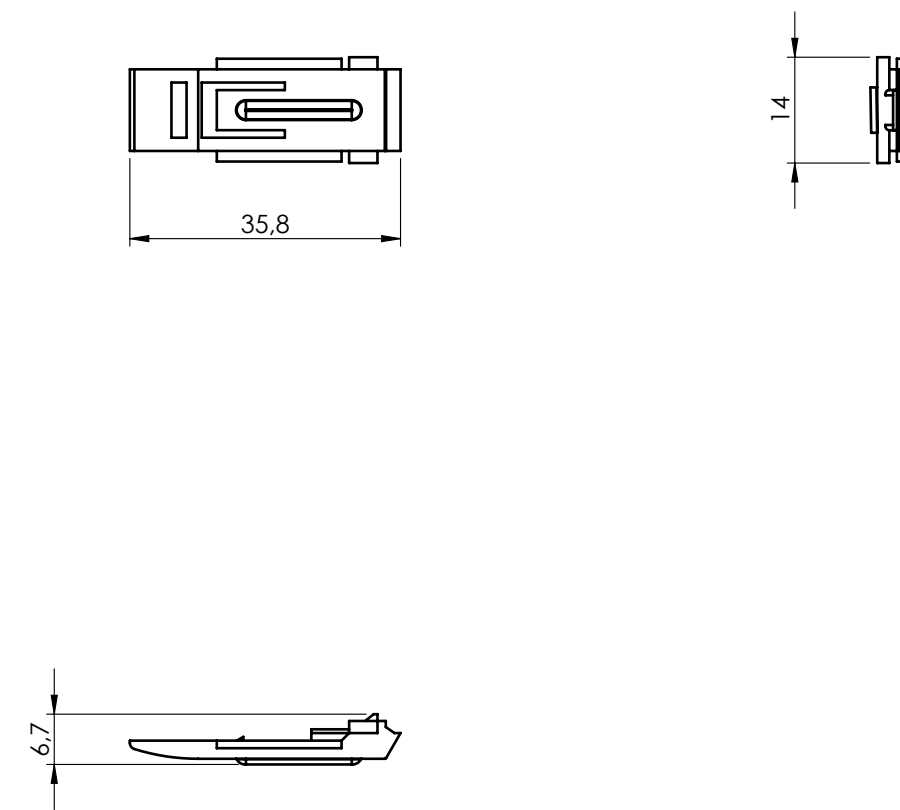
ACCESSORIO SX



HINGED PANEL

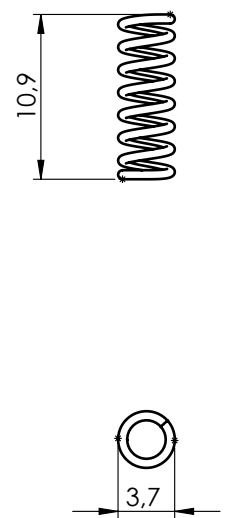


HOOK



SPRING

2:1



General Tolerance UNI EN 22768/1 Media (m)					Sheet:
from 0.5 to 3	from 3 to 6	from 6 to 30	from 30 to 120	from 120 to 400	2
± 0.1	± 0.1	± 0.2	± 0.3	± 0.5	
Scale:	IM:	Drawn:	Checked:	Date:	Material:
1:1	--	M.S.	R.N.	14/11/2023	Process:
Dimension in mm		Replaces the:		Derived from:	Weight:
		--		--	gr
italtronic enclosures for electronics italtronic.com					Description: KIT 22.5 RAILBOX RASPBERRY PI 5 KIT 22.5 RAILBOX RASPBERRY PI 5 Drawing nr.: 3_050_00042
					Rev.: 01 A2