

LUMAWISE MOTION

TE Connectivity (TE)'s LUMAWISE Motion is a motion sensor designed for street lighting. Enabling energy savings from dimming or even turning off a luminaire, while still being able to react to motion and bring a luminaire to full brightness for safety and security reasons.

LUMAWISE Motion will fit into the Zhaga-D4i ecosystem, which is the new standard for smart cities. Working as a standalone control device or in combination with Zhaga-D4i photocell or communication node for greater levels of controls.

The sensor is a pluggable device, with the standard Zhaga book 18 interface for an easy upgrade.

BENEFITS

- Interoperability guaranteed from the Zhaga-D4i logo and certification
- Detected motion will cause a dimmed luminaire to brighten allowing for energy savings while still having the safety and security of a well-lit area
- Compact design to keep the aesthetics of modern designed luminaires
- One handed easy under luminaire connection allows for an installer to work below the luminaire

APPLICATIONS

- Street lighting
- Park, recreational and walkway lighting
- Station lighting
- High bay lighting



Zhaga-D4i certified

LUMAWISE Motion

FEATURES

- 30mx6m rectangular detection zone (@5m)
- On: 35lux, Off: 18lux (other values available upon request)
- No motion: 20% brightness, motion: 100% brightness (other values available upon request)
- On time: 2 minutes (other values available upon request)
- Tested on poles from 5m to 8m high
- Detects pedestrians, runners, and cyclists
- Masks available for self-defined detection zone
- Lighting control of the driver from the D4i communication protocol
- Zhaga book 18 interface (4 position connection)
- Zhaga-D4i Type B device, with application controller
- Polarity insensitive DALI input
- IP66, IP68 and IK07
- -40°C to 65°C operating temperature range
- -40°C to 32°C functional detection temperature range
- At ambient temperatures greater than 32°C, light output will be switched to 50% brightness
- Rolling calibration sequence to filter out reflected light from the luminaire
- Pin out:
1: N/C
2: DALI-/GND
3: DALI+
4: N/C

MECHANICAL

- Height: 42.0mm
- Diameter: 79.7mm

MATERIALS

- Dome: HDPE and Polycarbonate
- Base: PBT

ELECTRICAL

- 6-8mA average power consumption, 25mA on startup
- Powered from the DALI bus

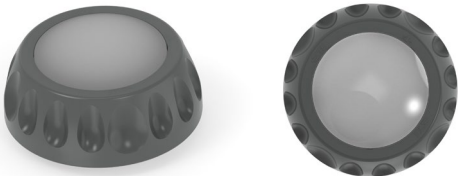
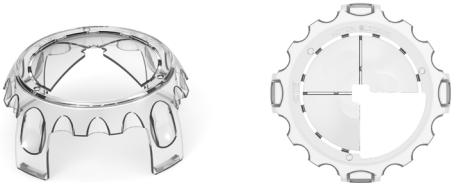
STANDARDS

- Zhaga Book 18 Editions 1, 2 and 3
- DiiA: Parts 351
- IEC 62386: Part 303, 101 and 103
- CE Marked
- UL773
- IEC 61347-1
- IEC 61347-2-11

SPECIFICATIONS

- Application Spec: [114-160247](#)
- Product Spec: [108-160457](#)

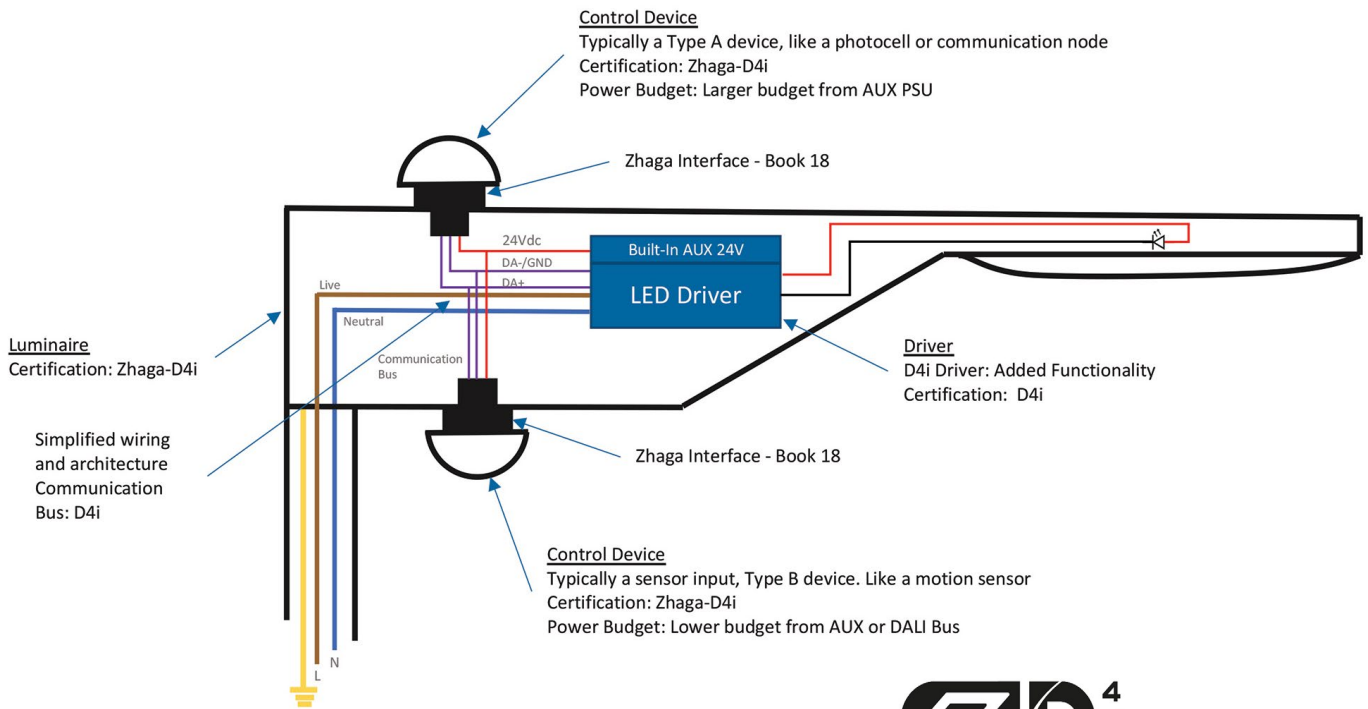
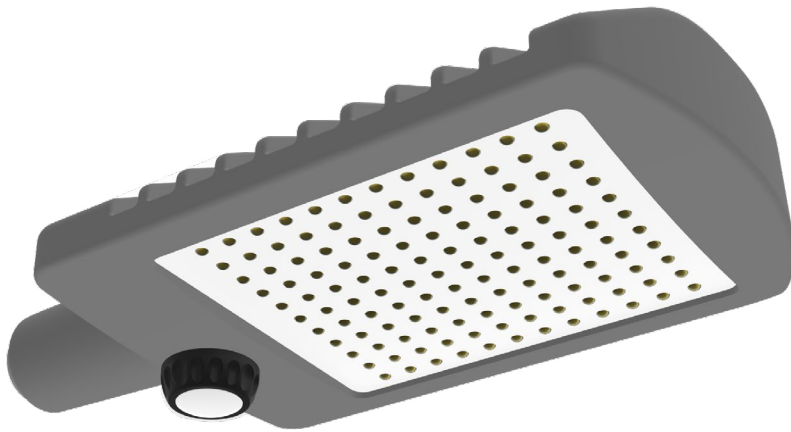
PART NUMBER LIST

Product Images	Part Number	Description
	<p>2388426-1</p> <p>2388426-2*</p> <p>2388426-3*</p>	<p>LUMAWISE Motion Sensor Assembly: Inverse switching ratio</p> <p>LUMAWISE Motion Sensor Assembly: Conventional switching ratio</p> <p>LUMAWISE Motion Sensor Assembly: 1:1 switching ratio</p>
	<p>2396399-1</p>	<p>LUMAWISE Motion Sensor Mask</p>

*Part numbers only available upon request

LUMAWISE Motion

LUMAWISE Motion Zhaga-D4i Certified

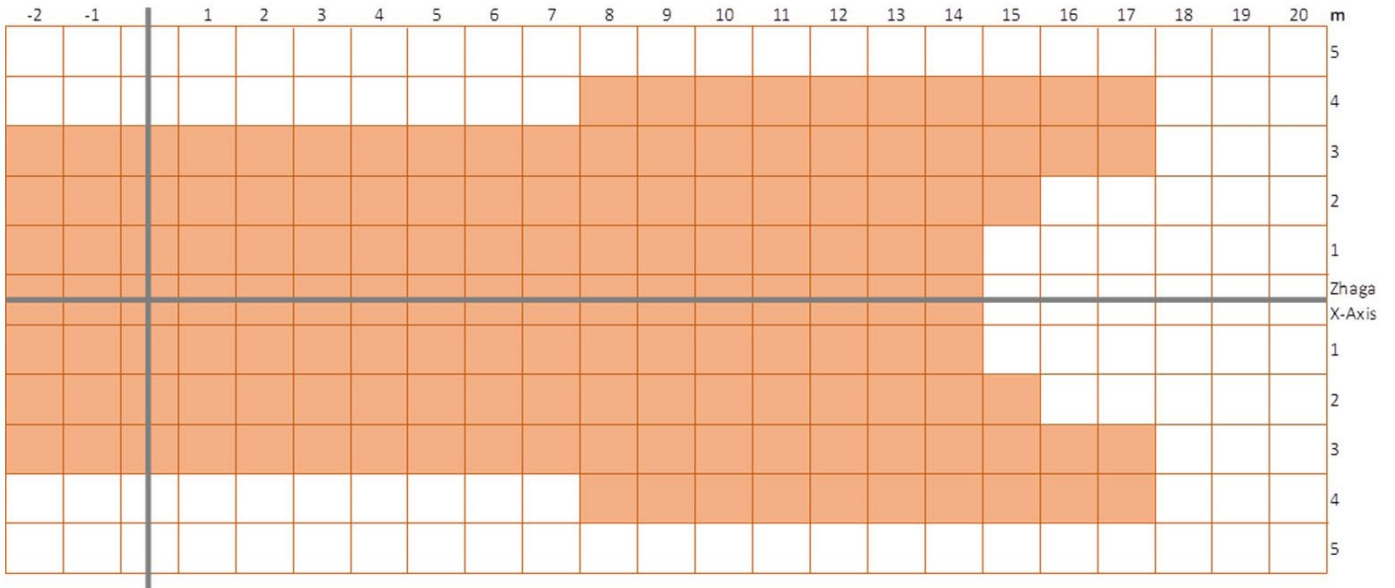


Zhaga-D4i certified

LUMAWISE Motion

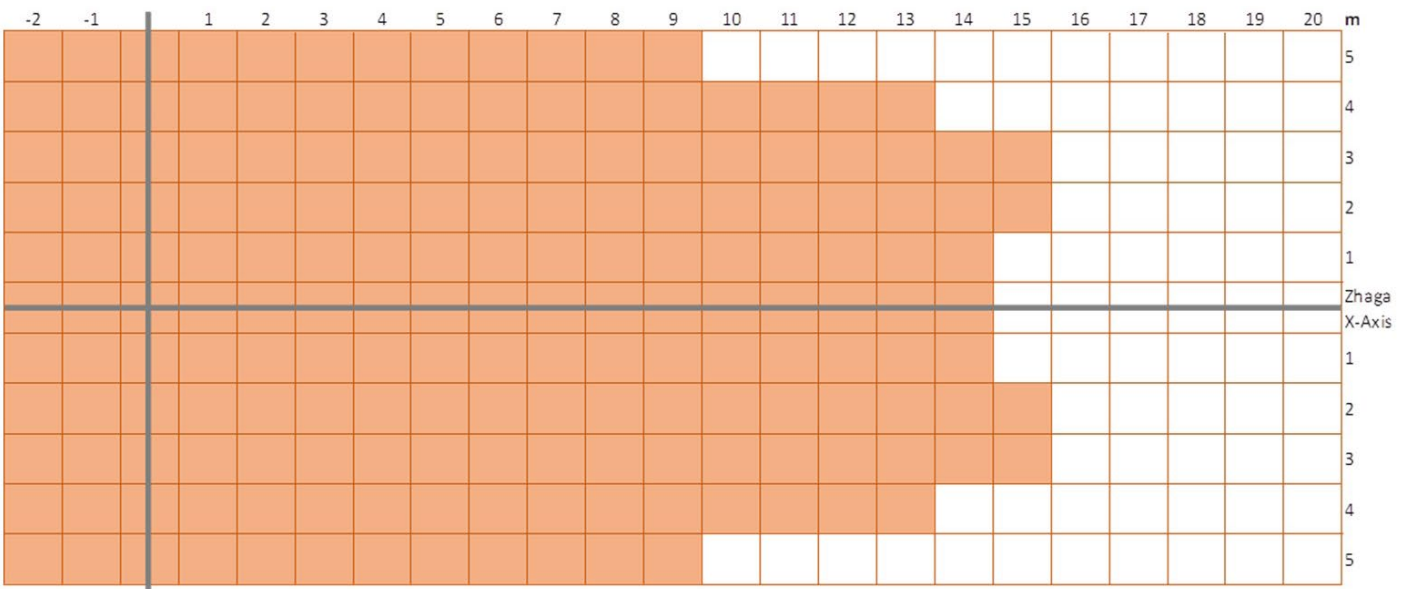
Market Leading Detection Zone

TYPICAL DETECTION DIAGRAM AT 5M MOUNTING HEIGHT



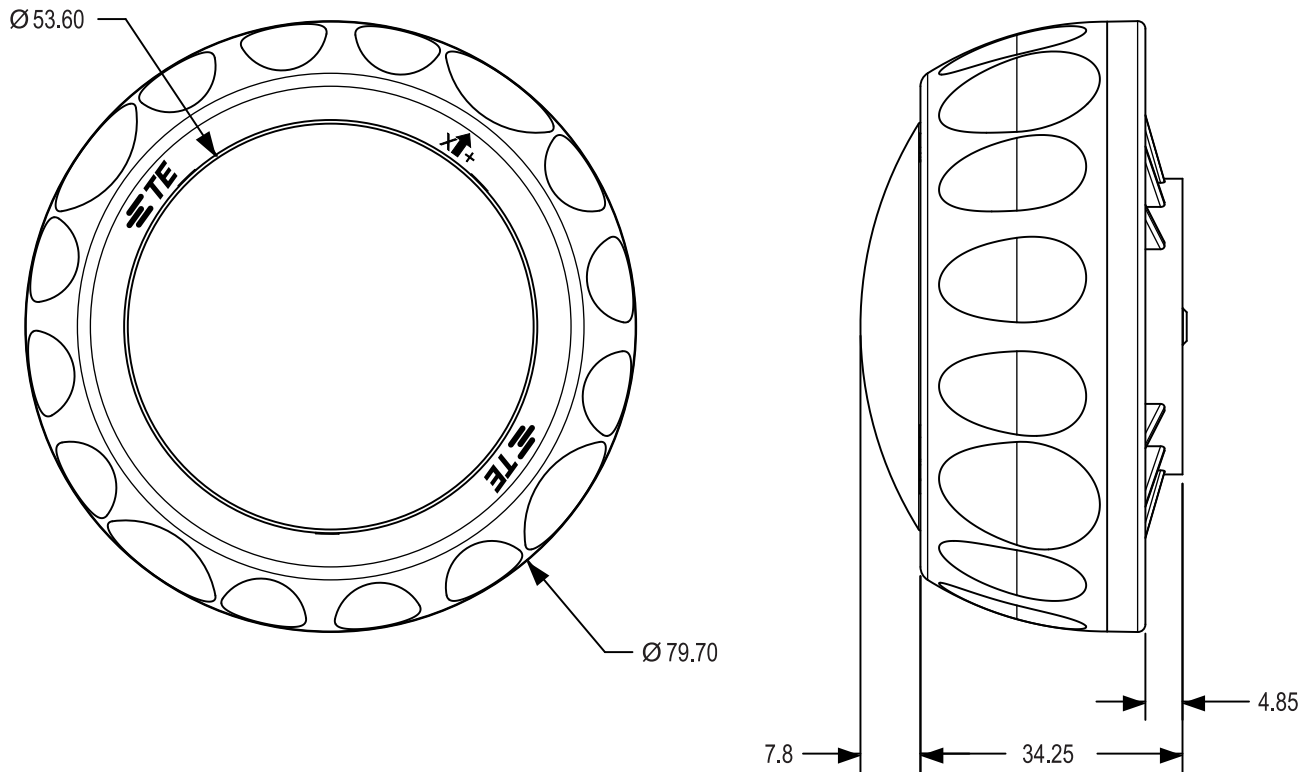
Only one half of detection zone shown

TYPICAL DETECTION DIAGRAM AT 8M MOUNTING HEIGHT



Only one half of detection zone shown

Mechanical footprint



te.com

© 2022 TE Connectivity. All Rights Reserved.

LUMAWISE, TE Connectivity, TE connectivity (logo) and Every Connection Counts are trademarks owned or licensed by TE Connectivity. All other logos, products and/or company names referred to herein might be trademarks of their respective owners.

While TE has made every reasonable effort to ensure the accuracy of the information in this brochure, TE does not guarantee that it is error-free, nor does TE make any other representation, warranty or guarantee that the information is accurate, correct, reliable or current. TE reserves the right to make any adjustments to the information contained herein at any time without notice. TE expressly disclaims all implied warranties regarding the information contained herein, including, but not limited to, any implied warranties of merchantability or fitness for a particular purpose. The dimensions in this catalog are for reference purposes only and are subject to change without notice. Specifications are subject to change without notice. Consult TE for the latest dimensions and design specifications.

09/22 AK