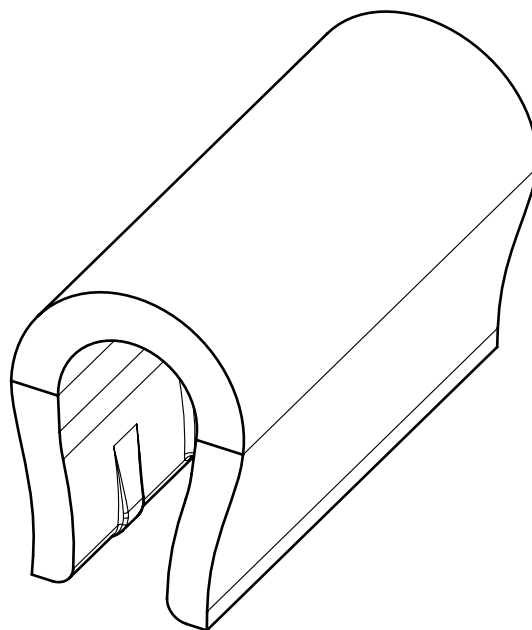
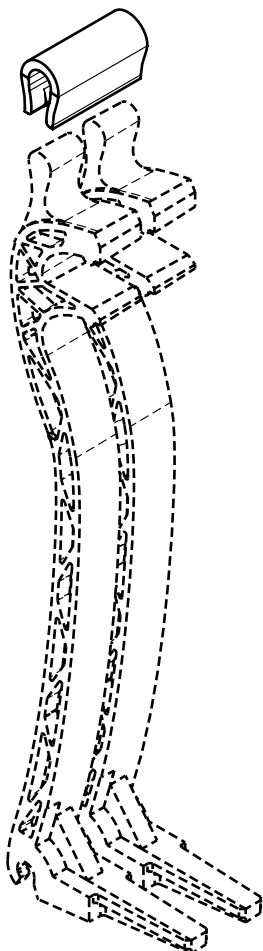


SECTION A-A



General Tolerance UNI EN 22768/1 Media (m)					Sheet:
from 0.5 to 3 ± 0.1	from 3 to 6 ± 0.1	from 6 to 30 ± 0.2	from 30 to 120 ± 0.3	from 120 to 400 ± 0.5	1
Scale: 5:1	Drawed: R.N.	Checked: R.N.	Date: 08/08/2022	Material: PA66	Process: INJECTION
Dimension in mm 	Derived from:			Weight: 0.5 gr	Cod. Mold: ST.17001018
			Description: ACCESSORIO PER DOPPIA LEVA LATUSBOX LATUSBOX DOUBLE LEVER ACCESSORY		Rev.:
			Drawing nr.: 2_260_00025		00 A4