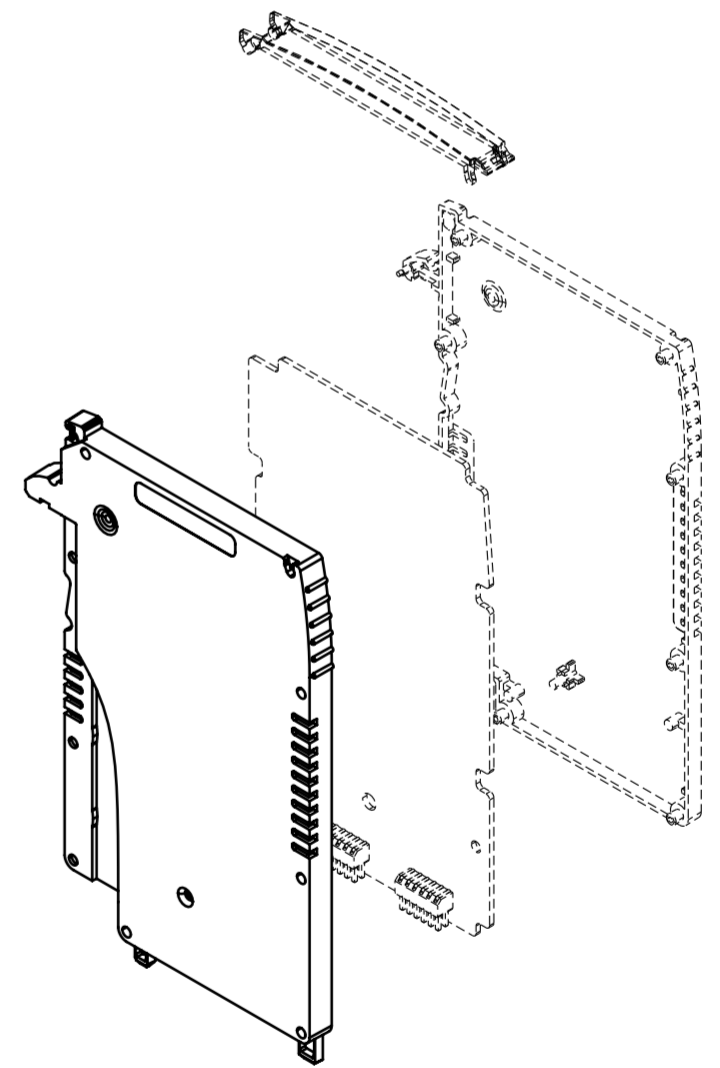
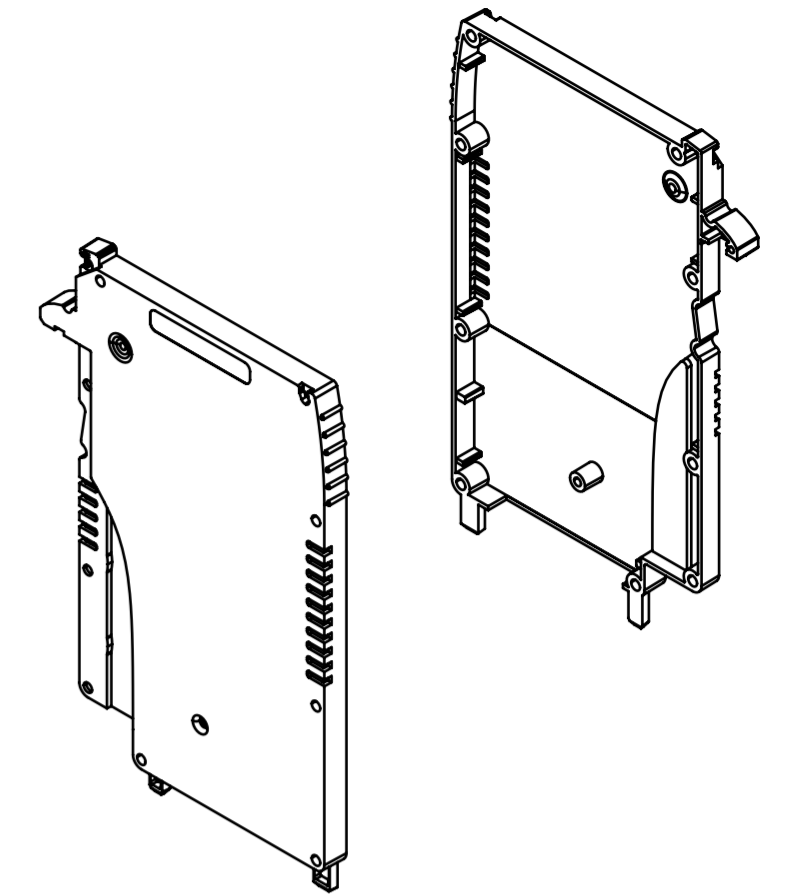
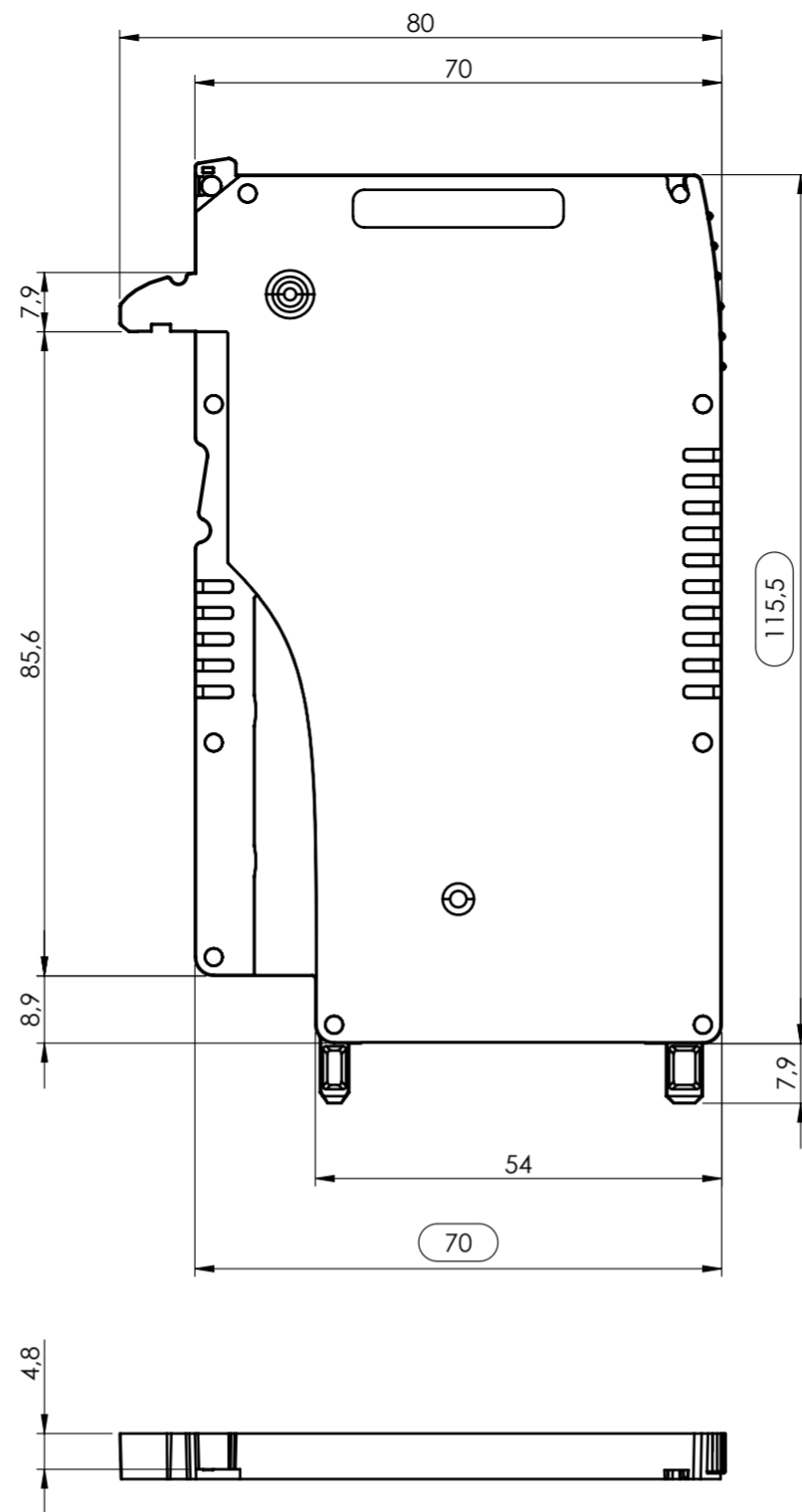
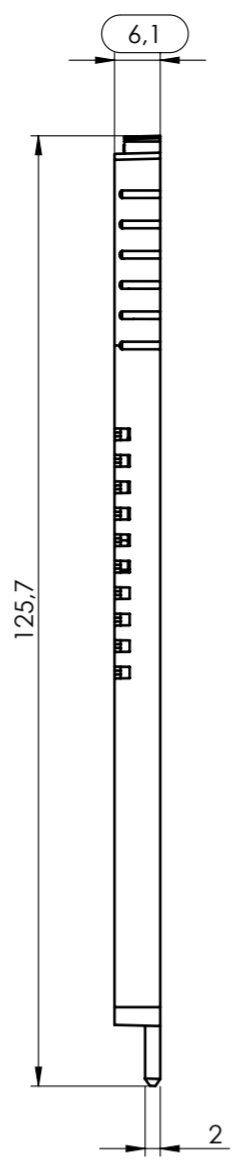
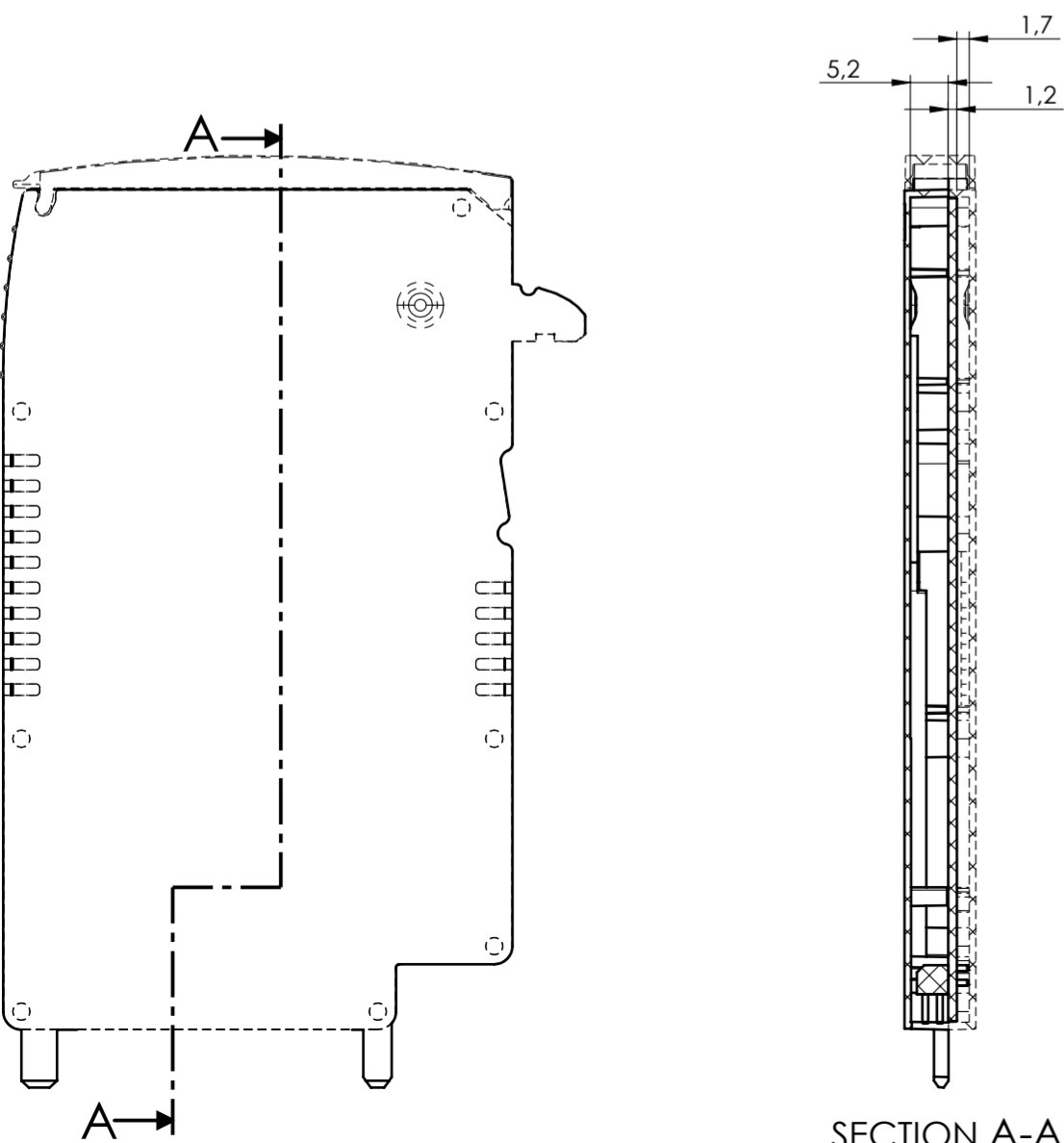


SECTION C-C

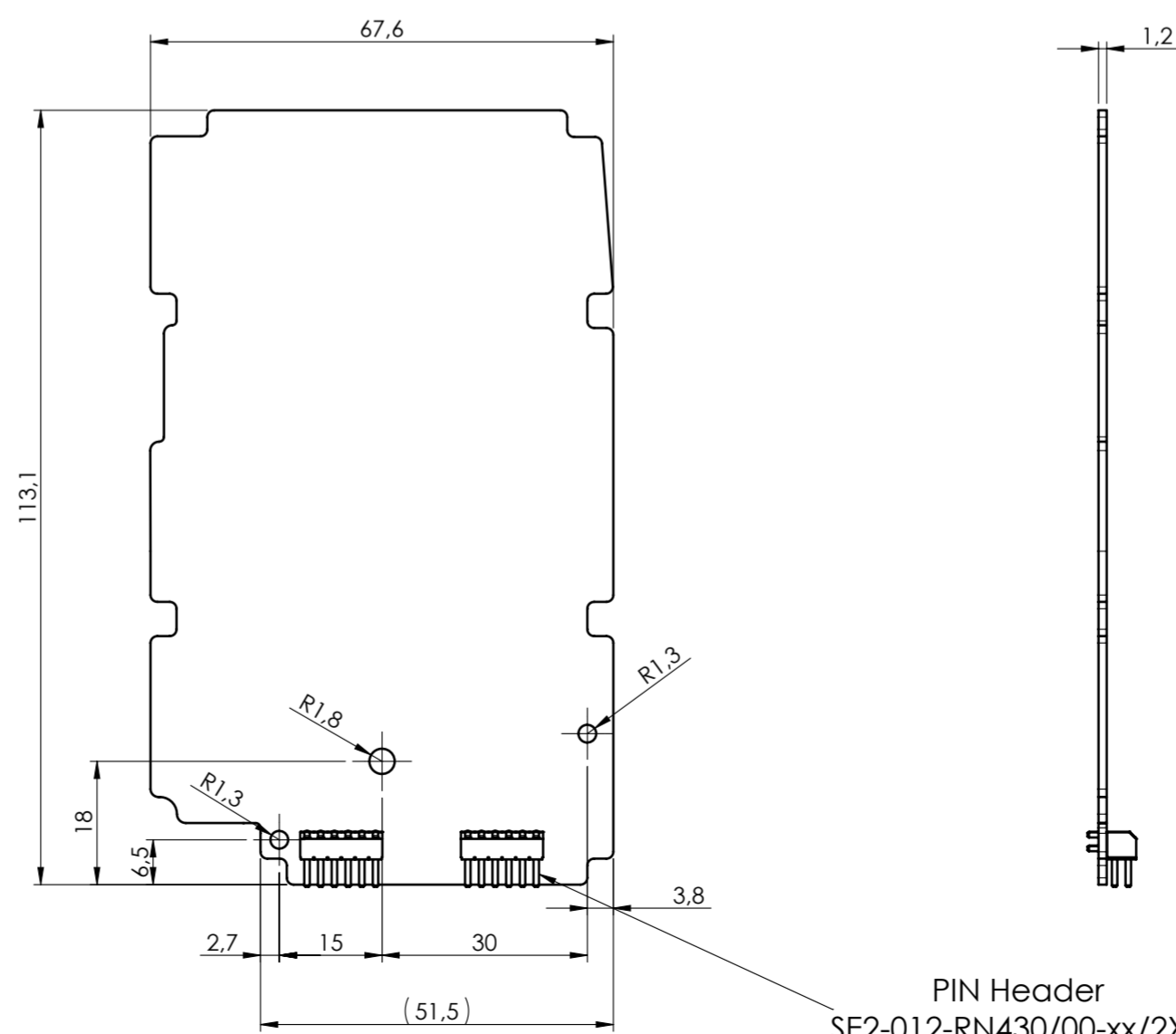


KIT ASSEMBLY



SECTION A-A

PCB



PIN Header
SE2-012-RN430/00-xx/2XX
www.e-tec.asia

General Tolerance UNI EN 22768/1 Media (m)					Sheet:
from 0.5 to 3 ± 0.1	from 3 to 6 ± 0.1	from 6 to 30 ± 0.2	from 30 to 120 ± 0.3	from 120 to 400 ± 0.5	1
Scale: 1:1	IM: --	Drawn: M.S.	Checked: R.N.	Date: 25/10/2022	Material: PA66
Dimension in mm		Replaces the:		Derived from:	Weight: 10.52 gr
		<small>The present drawing cannot be reproduced or communicated to third parties, even partially, without the authorization of Italtronic. Italtronic reserves the right to modify the drawing without notice.</small>		Cod. Mold: -- italtronic enclosures for electronics italtronic.com	
Description: COPERCHIO LATUSBOX 9.8MM CHIUSO COVER LATUSBOX 9.8MM CLOSED Drawing nr.: 2_260_00027					Rev.: 00 A2