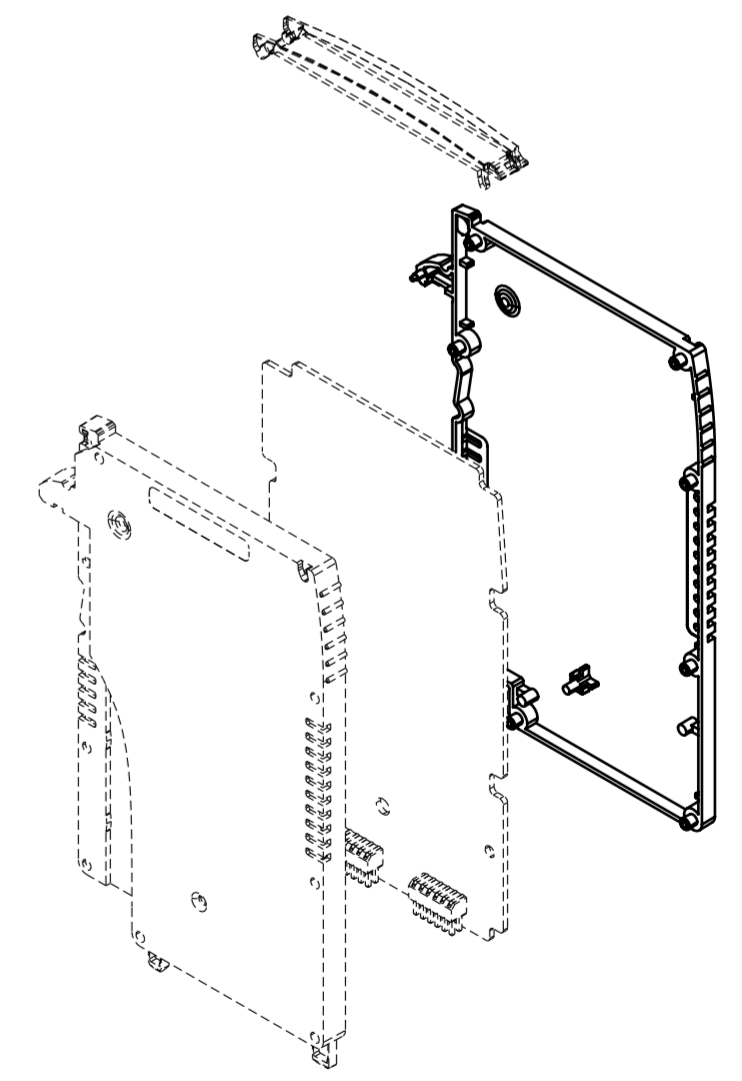
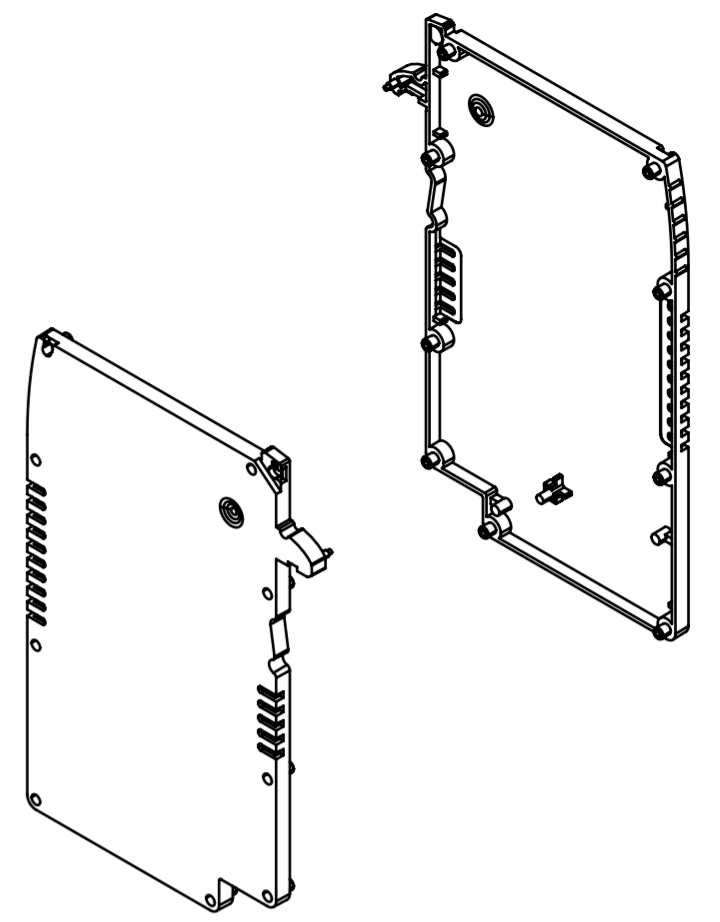
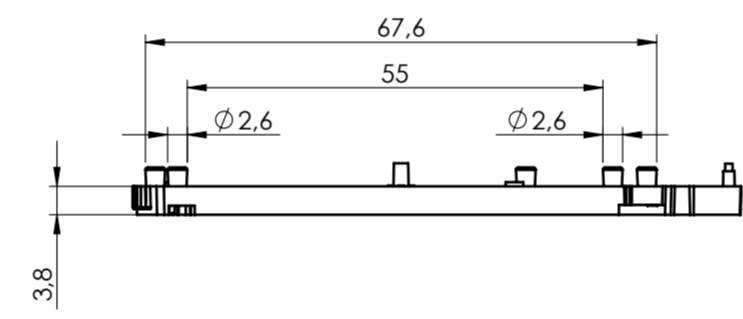
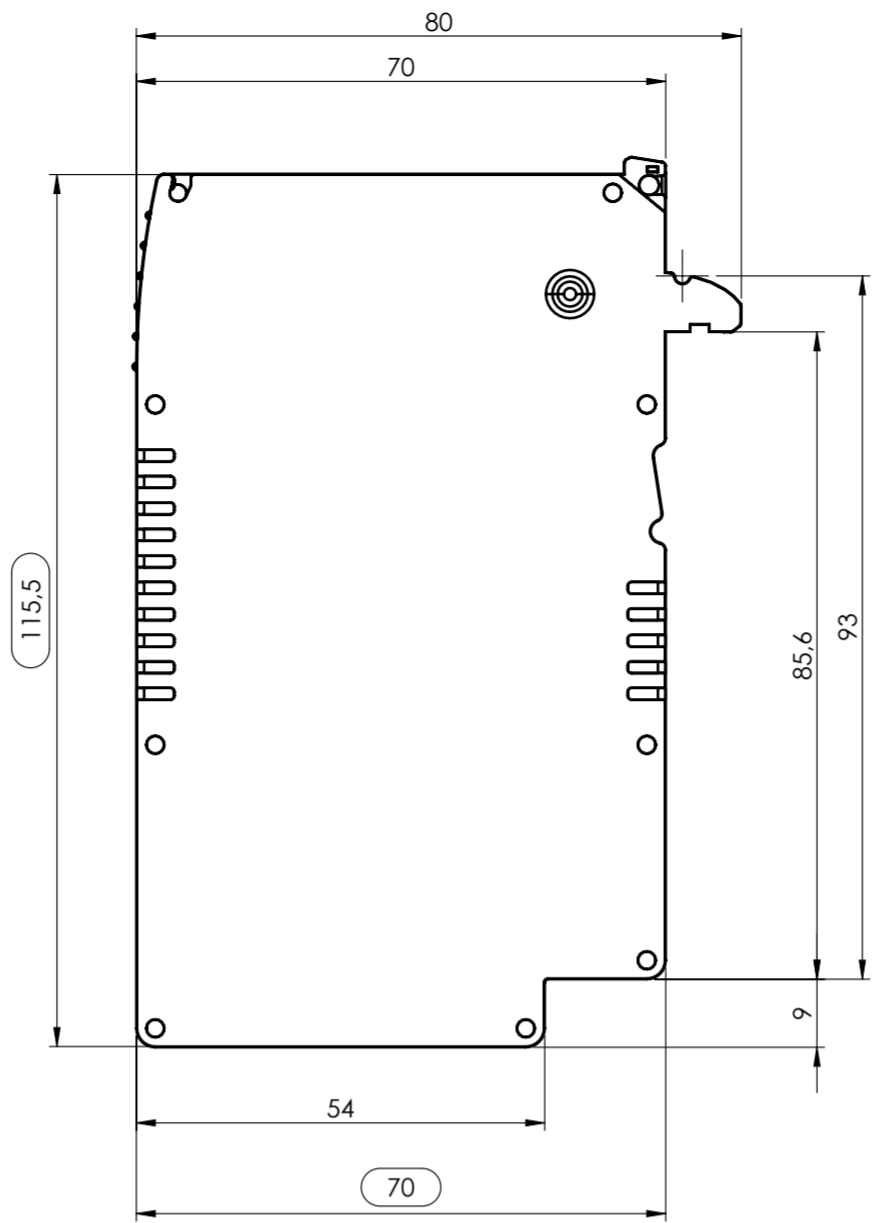
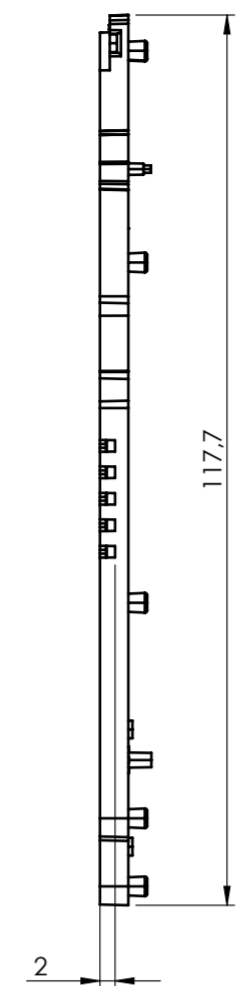
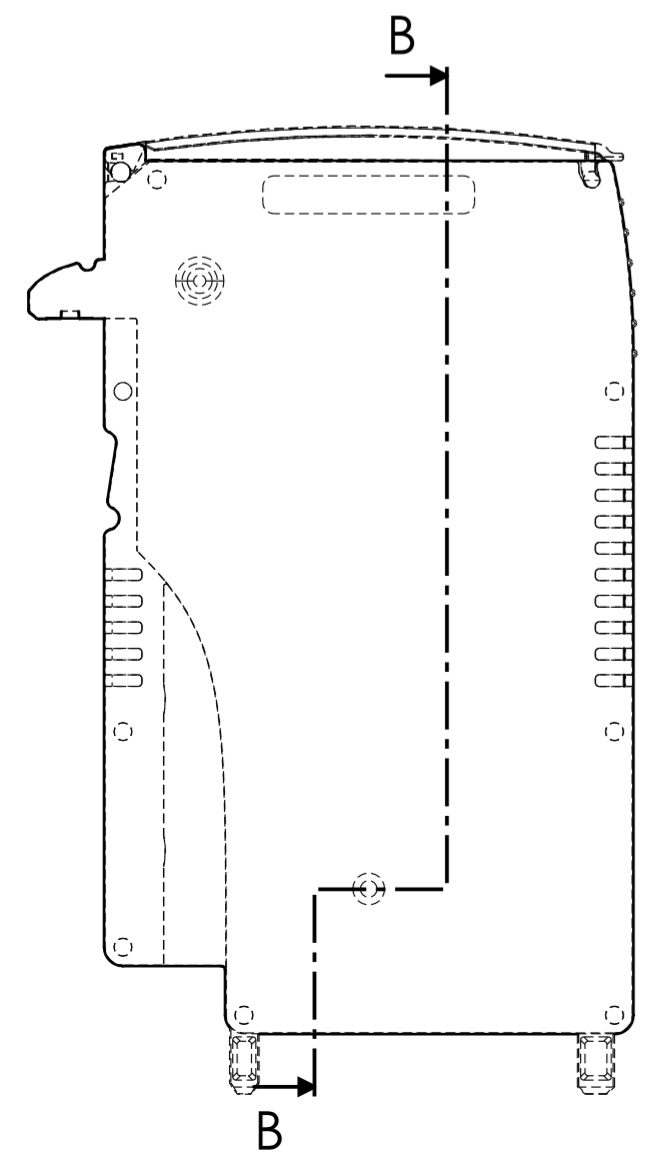


SECTION A-A

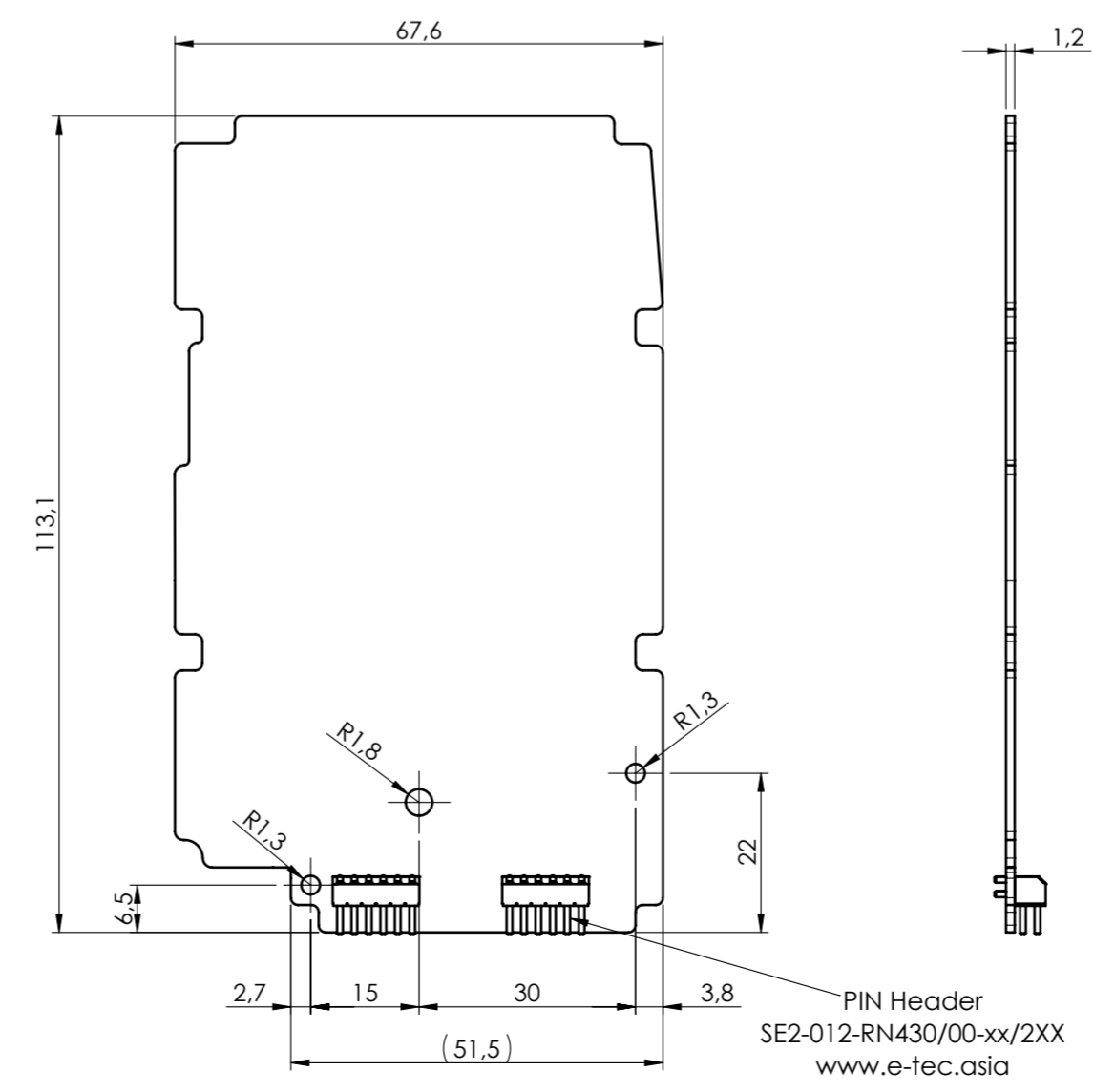


KIT ASSEMBLY



SECTION B-B

PCB



General Tolerance UNI EN 22768/1 Media (m)					Sheet:
from 0.5 to 3 ± 0.1	from 3 to 6 ± 0.1	from 6 to 30 ± 0.2	from 30 to 120 ± 0.3	from 120 to 400 ± 0.5	1
Scale: IM:	Drawn: M.S.	Checked: R.N.	Date: 23/02/2024	Material: PA66	Process: INJECTION
1:1	--	--	--	Weight: 9.98 gr	Cod. Mold: ST.17011005
Dimension in mm		<small>The present drawing cannot be reproduced or communicated to 3rd parties, even partially, without the authorization of Italtronic. Italtronic reserves the right to protect its own rights according to the law.</small>		Replaces the: -- Derived from: -- Description: BASE LATUSBOX 9.8MM CHIUSO LATUSBOX BASE 9.8MM CLOSED Drawing nr.: 2_260_00033	
italtronic enclosures for electronics italtronic.com				Rev.: 00	A2