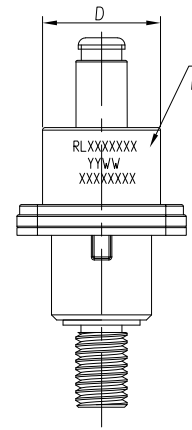
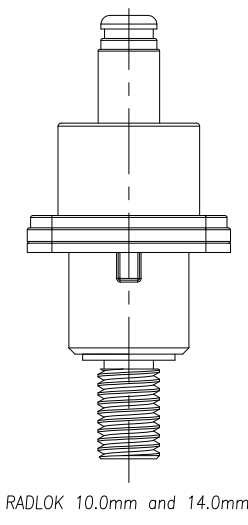
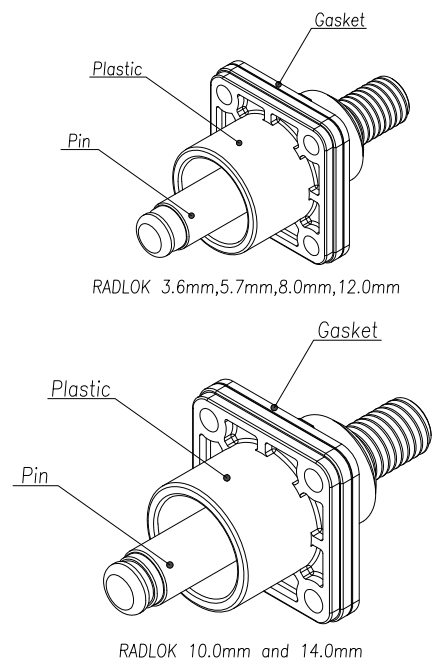


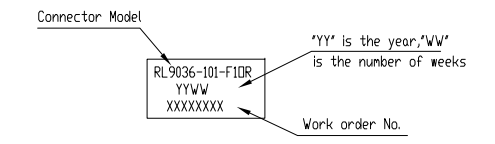
THIS DRAWING IS SUPPLIED FOR INFORMATION ONLY. DESIGN FEATURES, SPECIFICATIONS AND PERFORMANCE DATA SHOWN HEREON ARE THE PROPERTY OF THE AMPHENOL CORPORATION. NO RIGHTS OF REPRODUCTION ARE IMPLIED. ALL DIMENSIONS ARE SUBJECT TO NORMAL MANUFACTURING VARIATIONS.

CUSTOMER DRAWING

REVISIONS				
REV	DESCRIPTION	DATE	BY	APPR
A	INITIAL RELEASE	12/12/13	DH	EC
B	CHANGE THE STRUCTURE	01/26/14	DH	EC
C	CHANGE THE STRUCTURE	02/07/14	DH	EC
D	ADD TORQUE FORCE	03/19/14	DH	EC
E	ADD SIZE 14.0mm	06/12/14	DH	EC
F	CHANGE DIMENSION "E, G" FOR SIZE 14.0	09/15/14	DH	EC
G	CHANGE 14.0mm SIZE	03/19/15	VF	EC
H	Add a view of 10.0 and 14.0	01/11/18	KW	JG
I	Cancel Nickel and Tin Plating	09/23/19	DL	JL
J	Remove Nickel and Tin Plating Logo	06/11/20	DL	JL
K	Add laser printing requirements	04/25/22	DL	JL



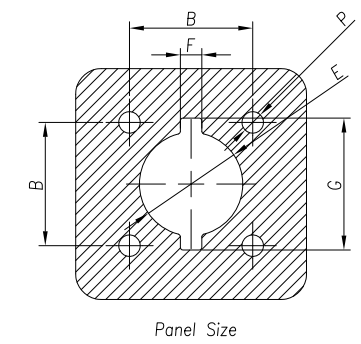
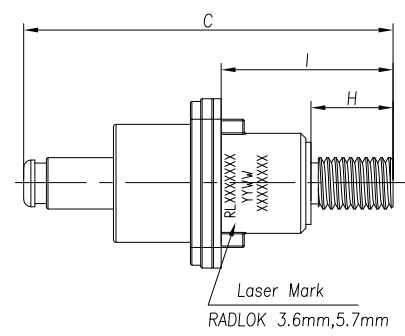
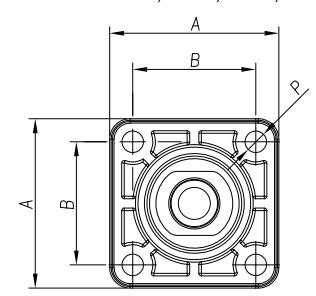
Laser printing requirements:



Ordering Example:

RL 9 080 - 10 1 - F1 OR

- RadLok
- RadLok Pin
- RadLok Size: \varnothing 8.0mm
- Pin To Thread
- Plating: 1 - Silver
- Feed Thru
- Connector Color: OR:Orange, RE:Red, BK:Black



Specification

Size (mm)	A (mm)	B (mm)	C (mm)	D (mm)	E (mm)	F (mm)	G (mm)	H (mm)	I (mm)	Thread	P	Current (A)	CATALOG P/N () For color	Plating
3.6	21.0	14.0	43.9	11.9	11.9	2.8	15.2	8	22.2	M4x0.7-6g	M3	70	RL9036-101-F1()	1 Silver
5.7	25.0	17.0	49.6	15.2	14.7		18.2	10	24.2	M6x1.0-6g		120	RL9057-101-F1()	
8.0	30.0	21.0	56.4	19.6	18.2	4.2	23.7	12	25.0	M8x1.25-6g	M4	200	RL9080-101-F1()	
10.0	33.0	24.0	67.0	23.0	20.6		25.7	16	29.0	M10x1.5-6g		300	RL9100-101-F1()	
12.0	36.0	26.0	72.0	25.5	23.3		27.7	20	33.0	M12x1.75-6g		400	RL9120-101-F1()	
14.0	37.0	27.0	83.0	28.0	27.3		31.8	23	36.0	M12x1.75-6g		500	RL9140-101-F1()	

Size(mm)	3.6	5.7	8.0	10.0	12.0	14.0
Torque Force (N.m)	2.5±0.2	4±0.4	7.5±0.5	20±1	24±1	32±1

Amphenol Technical Products International GZ

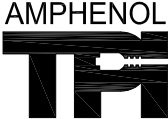
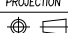
第三角投影 THIRD ANGLE PROJECTION	页面 SHEET	幅面 SIZE	版次 REV.	比例 SCALE.	PART NAME: RADLOK® Feed Thru Pin To Thread
1 OF 2	A3	K			
签名 SIGNATURE		日期 DATE		UNLESS OTHERWISE SPECIFIED	
制图 DRAWN		DL 04/25/2022		1) All dimensions are in metric(mm).	
审核 CHECKED		YM 04/25/2022		2) Tolerances are as follows:	
批准 APPROVAL		JL 04/25/2022		1 PL DEC ±1.00	
				2 PL DEC ±0.50	
				2 PL DEC ±0.20	
				Angles ±1°	
DWG NO:				See Table	
CUST PART #:				N/A	
				CUST REV. K	

CUSTOMER DRAWING

REVISIONS				
REV	DESCRIPTION	DATE	BY	APPR
A	INITIAL RELEASE	12/12/13	DH	EC
B	CHANGE THE STRUCTURE	01/26/14	DH	EC
C	CHANGE THE STRUCTURE	02/07/14	DH	EC
D	ADD TORQUE FORCE	03/19/14	DH	EC
E	ADD SIZE 14.0mm	06/12/14	DH	EC
F	CHANGE DIMENSION "E, G" FOR SIZE 14.0	09/15/14	DH	EC
G	CHANGE 14.0mm SIZE	03/19/15	VF	EC
H	Add a view of 10.0 and 14.0	01/11/18	KW	JG
I	Cancel Nickel and Tin Plating	09/23/19	DL	JL
J	Remove Nickel and Tin Plating Logo	06/11/20	DL	JL
K	Add laser printing requirements	04/25/22	DL	JL

Table							
Plating Type	Pin Size	Part Number					
		Color:Orange		Color:Black		Color:Red	
		Catalog P/N	GEC P/N	Catalog P/N	GEC P/N	Catalog P/N	GEC P/N
Silver 镀银	3.6mm	RL9036-101-F10R	AC-HA001613	RL9036-101-F1BK	AC-HA000375	RL9036-101-F1RE	AC-HA001703
	5.7mm	RL9057-101-F10R	AC-HA001615	RL9057-101-F1BK	AC-HA000377	RL9057-101-F1RE	AC-HA001705
	8.0mm	RL9080-101-F10R	AC-HA001616	RL9080-101-F1BK	AC-HA000378	RL9080-101-F1RE	AC-HA001706
	10.0mm	RL9100-101-F10R	AC-HA001618	RL9100-101-F1BK	AC-HA000380	RL9100-101-F1RE	AC-HA001708
	12.0mm	RL9120-101-F10R	AC-HA001619	RL9120-101-F1BK	AC-HA000381	RL9120-101-F1RE	AC-HA001709
	14.0mm	RL9140-101-F10R	AC-HA001620	RL9140-101-F1BK	AC-HA000382	RL9140-101-F1RE	AC-HA001710

THIS DRAWING IS SUPPLIED FOR INFORMATION ONLY. DESIGN FEATURES, SPECIFICATIONS AND PERFORMANCE DATA SHOWN HEREON ARE THE PROPERTY OF THE AMPHENOL CORPORATION. NO RIGHTS OF REPRODUCTION ARE IMPLIED. ALL DIMENSIONS ARE SUBJECT TO NORMAL MANUFACTURING VARIATIONS.

		Amphenol Technical Products International GZ					PART NAME:	
		第三角投影 THIRD ANGLE PROJECTION 	页面 SHEET 2 OF 2	幅面 SIZE A3	版次 REV. K	比例 SCALE 	RADLOK® Feed Thru Pin To Thread	
签名 SIGNATURE DL		日期 DATE 04/25/2022		UNLESS OTHERWISE SPECIFIED 1) All dimensions are in metric(mm). 2) Tolerances are as follows: 0 PL DEC ±1.00 1 PL DEC ±0.50 2 PL DEC ±0.20			DWG NO: See Table	
审核 CHECKED YM		批准 APPROVAL JL		Angles ±1°			CUST PART #: N/A	
							CUST REV. K	