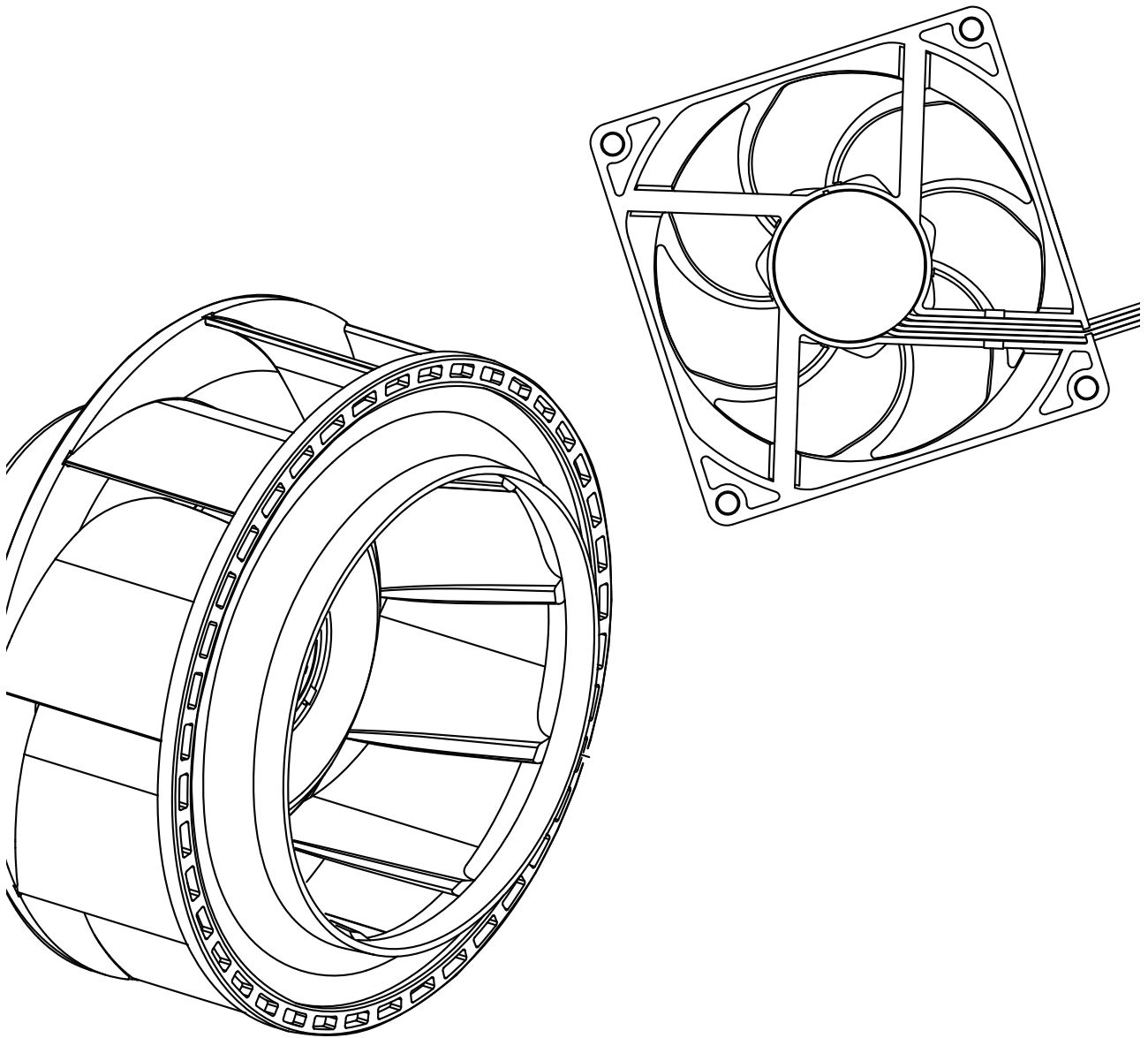


# San Ace

## Cooling Systems

Handy Catalog



**SANYO DENKI**

## Splash Proof Fan



**40×40×20 mm 9WPA type**

IP68 PWM Pulse sensor ECO PRODUCTS

Model No.	Rated Voltage [V]	Rated Current [A]	Rated Speed [min <sup>-1</sup> ]	Max. Airflow [m <sup>3</sup> /min] [CFM]	Max. Static Pressure [Pa] [inchH <sub>2</sub> O]	SPL [dB (A)]
<b>9WPA0412P6G001</b>	12	0.17	13700	0.38 13.4	210 0.84	44
<b>9WPA0424P6G001</b>	24	0.09	13700	0.38 13.4	210 0.84	44



**40×40×20 mm 9WP type**

IP68 Pulse sensor

Model No.	Rated Voltage [V]	Rated Current [A]	Rated Speed [min <sup>-1</sup> ]	Max. Airflow [m <sup>3</sup> /min] [CFM]	Max. Static Pressure [Pa] [inchH <sub>2</sub> O]	SPL [dB (A)]
<b>9WP0412H6001</b>	12	0.1	8000	0.255 8.0	65.7 0.264	33



**40×40×28 mm 9WPA type**

IP68 PWM Pulse sensor OPTION Ribless ECO PRODUCTS

Model No.	Rated Voltage [V]	Rated Current [A]	Rated Speed [min <sup>-1</sup> ]	Max. Airflow [m <sup>3</sup> /min] [CFM]	Max. Static Pressure [Pa] [inchH <sub>2</sub> O]	SPL [dB (A)]
<b>9WPA0412P3G001</b>	12	0.50	22200	0.63 22.2	555 2.22	53
<b>9WPA0424P3G001</b>	24	0.25	22200	0.63 22.2	555 2.22	53



**40×40×28 mm 9WL type**

IP68 PWM Pulse sensor ECO PRODUCTS

Model No.	Rated Voltage [V]	Rated Current [A]	Rated Speed [min <sup>-1</sup> ]	Max. Airflow [m <sup>3</sup> /min] [CFM]	Max. Static Pressure [Pa] [inchH <sub>2</sub> O]	SPL [dB (A)]
<b>9WL0412P3J001</b>	12	0.52	17500	0.63 22.2	400 1.61	51
<b>9WL0424P3J001</b>	24	0.26	17500	0.63 22.2	400 1.61	51



**60×60×25 mm 9WPA type**

IP68 PWM Pulse sensor OPTION Ribless ECO PRODUCTS

Model No.	Rated Voltage [V]	Rated Current [A]	Rated Speed [min <sup>-1</sup> ]	Max. Airflow [m <sup>3</sup> /min] [CFM]	Max. Static Pressure [Pa] [inchH <sub>2</sub> O]	SPL [dB (A)]
<b>9WPA0612P4G001</b>	12	0.93	12000	1.52 53.7	357 1.44	56
<b>9WPA0624P4G001</b>	24	0.46	12000	1.52 53.7	357 1.44	56



**60×60×25 mm 9WL type**

IP68 PWM Pulse sensor ECO PRODUCTS

Model No.	Rated Voltage [V]	Rated Current [A]	Rated Speed [min <sup>-1</sup> ]	Max. Airflow [m <sup>3</sup> /min] [CFM]	Max. Static Pressure [Pa] [inchH <sub>2</sub> O]	SPL [dB (A)]
<b>9WL0612P4S001</b>	12	0.67	11000	1.4 49.4	300 1.204	53
<b>9WL0624P4S001</b>	24	0.34	11000	1.4 49.4	300 1.204	53



**80×80×25 mm 9WPA type**

IP68 PWM Pulse sensor OPTION Ribless ECO PRODUCTS

Model No.	Rated Voltage [V]	Rated Current [A]	Rated Speed [min <sup>-1</sup> ]	Max. Airflow [m <sup>3</sup> /min] [CFM]	Max. Static Pressure [Pa] [inchH <sub>2</sub> O]	SPL [dB (A)]
<b>9WPA0812P4G001</b>	12	0.71	8250	2.32 81.9	210 0.84	54
<b>9WPA0824P4G001</b>	24	0.36	8250	2.32 81.9	210 0.84	54

**80×80×25 mm 9WL type**

IP68 PWM Pulse sensor ECO PRODUCTS

Model No.	Rated Voltage	Rated Current	Rated Speed	Max. Airflow		Max. Static Pressure		SPL
	[V]	[A]	[min <sup>-1</sup> ]	[m <sup>3</sup> /min]	[CFM]	[Pa]	[inchH <sub>2</sub> O]	[dB (A)]
<b>9WL0812P4J001</b>	12	0.6	7400	2.07	73.0	177	0.71	49
<b>9WL0824P4J001</b>	24	0.28	7400	2.07	73.0	177	0.71	49

**80×80×38 mm 9WV type**

IP68 PWM Pulse sensor OPTION Ribless

Model No.	Rated Voltage	Rated Current	Rated Speed	Max. Airflow		Max. Static Pressure		SPL
	[V]	[A]	[min <sup>-1</sup> ]	[m <sup>3</sup> /min]	[CFM]	[Pa]	[inchH <sub>2</sub> O]	[dB (A)]
<b>9WV0812P1M001</b>	12	0.75	6000	2.29	80.9	169	0.68	51
<b>9WV0848P1H001</b>	48	0.75	9700	3.7	131	440	1.77	63

**92×92×25 mm 9WPA type**

IP68 PWM Pulse sensor OPTION Ribless ECO PRODUCTS

Model No.	Rated Voltage	Rated Current	Rated Speed	Max. Airflow		Max. Static Pressure		SPL
	[V]	[A]	[min <sup>-1</sup> ]	[m <sup>3</sup> /min]	[CFM]	[Pa]	[inchH <sub>2</sub> O]	[dB (A)]
<b>9WPA0912P4G001</b>	12	0.5	5700	2.45	86.5	126	0.51	47
<b>9WPA0924P4G001</b>	24	0.25	5700	2.45	86.5	126	0.51	47

**92×92×25 mm 9WL type**

IP68 PWM Pulse sensor ECO PRODUCTS

Model No.	Rated Voltage	Rated Current	Rated Speed	Max. Airflow		Max. Static Pressure		SPL
	[V]	[A]	[min <sup>-1</sup> ]	[m <sup>3</sup> /min]	[CFM]	[Pa]	[inchH <sub>2</sub> O]	[dB (A)]
<b>9WL0912P4J001</b>	12	0.42	5000	2.2	77.7	105	0.42	44
<b>9WL0924P4J001</b>	24	0.21	5000	2.2	77.7	105	0.42	44

**92×92×38 mm 9WL type**

IP68 PWM Pulse sensor ECO PRODUCTS

Model No.	Rated Voltage	Rated Current	Rated Speed	Max. Airflow		Max. Static Pressure		SPL
	[V]	[A]	[min <sup>-1</sup> ]	[m <sup>3</sup> /min]	[CFM]	[Pa]	[inchH <sub>2</sub> O]	[dB (A)]
<b>9WL0912P1H001</b>	12	1.9	9000	3.7	130.6	430	1.72	61
<b>9WL0924P1H001</b>	24	0.95	9000	3.7	130.6	430	1.72	61
<b>9WL0948P1H601</b>	48	0.48	9000	3.7	130.6	430	1.72	61

**92×92×38 mm 9WV type**

IP68 PWM Pulse sensor

Model No.	Rated Voltage	Rated Current	Rated Speed	Max. Airflow		Max. Static Pressure		SPL
	[V]	[A]	[min <sup>-1</sup> ]	[m <sup>3</sup> /min]	[CFM]	[Pa]	[inchH <sub>2</sub> O]	[dB (A)]
<b>9WV0924P1H001</b>	24	1.6	8500	5.05	178	385	1.55	64
<b>9WV0948P1H001</b>	48	0.82	8500	5.05	178	385	1.55	64

Splash Proof Fan

## Splash Proof Fan



**120×120×38 mm 9WV type**

IP68



Model No.	Rated Voltage	Rated Current	Rated Speed	Max. Airflow		Max. Static Pressure		SPL
	[V]	[A]	[min <sup>-1</sup> ]	[m <sup>3</sup> /min]	[CFM]	[Pa]	[inchH <sub>2</sub> O]	[dB (A)]
<b>9WV1212P1J001</b>	12	3	6400	6.35	224.0	360	1.45	64
<b>9WV1224P1J601</b>	24	1.5	6400	6.35	224.0	360	1.45	64
<b>9WV1248P1J001</b>	48	0.65	6400	6.35	224.0	360	1.45	64



**120×120×38 mm 9WG type**

IP55



Model No.	Rated Voltage	Rated Current	Rated Speed	Max. Airflow		Max. Static Pressure		SPL
	[V]	[A]	[min <sup>-1</sup> ]	[m <sup>3</sup> /min]	[CFM]	[Pa]	[inchH <sub>2</sub> O]	[dB (A)]
<b>9WG1212G101-E</b>	12	0.98	3600	3.88	137	135	0.542	49
<b>9WG1224G101-E</b>	24	0.5	3600	3.88	137	135	0.542	49
<b>9WG1248G101-E</b>	48	0.25	3600	3.88	137	135	0.542	49



**120×120×38 mm 9WP type**

IP68



OPTION  
Ribless

Model No.	Rated Voltage	Rated Current	Rated Speed	Max. Airflow		Max. Static Pressure		SPL
	[V]	[A]	[min <sup>-1</sup> ]	[m <sup>3</sup> /min]	[CFM]	[Pa]	[inchH <sub>2</sub> O]	[dB (A)]
<b>9WP1212H101</b>	12	0.38	2600	2.8	99	70.4	0.283	39
<b>9WP1224H101</b>	24	0.22	2600	2.8	99	70.4	0.283	39
<b>9WP1248H101</b>	48	0.11	2600	2.8	99	70.4	0.283	39



**140×140×38 mm 9WL type**

IP68



Model No.	Rated Voltage	Rated Current	Rated Speed	Max. Airflow		Max. Static Pressure		SPL
	[V]	[A]	[min <sup>-1</sup> ]	[m <sup>3</sup> /min]	[CFM]	[Pa]	[inchH <sub>2</sub> O]	[dB (A)]
<b>9WL1412P1A001</b>	12	3.72	6900	8.0	282	516	2.07	68
<b>9WL1424P1A001</b>	24	1.86	6900	8.0	282	516	2.07	68
<b>9WL1448P1A001</b>	48	0.92	6900	8.0	282	516	2.07	68



**140×140×51 mm 9WL type**

IP68



Model No.	Rated Voltage	Rated Current	Rated Speed	Max. Airflow		Max. Static Pressure		SPL
	[V]	[A]	[min <sup>-1</sup> ]	[m <sup>3</sup> /min]	[CFM]	[Pa]	[inchH <sub>2</sub> O]	[dB (A)]
<b>9WL1412P5G001</b>	12	5.16	7500	9.0	318	655	2.63	69
<b>9WL1424P5G001</b>	24	2.58	7500	9.0	318	655	2.63	69
<b>9WL1448P5G001</b>	48	1.29	7500	9.0	318	655	2.63	69



**φ172×150×51 mm 9WG type**

IP68



Model No.	Rated Voltage	Rated Current	Rated Speed	Max. Airflow		Max. Static Pressure		SPL
	[V]	[A]	[min <sup>-1</sup> ]	[m <sup>3</sup> /min]	[CFM]	[Pa]	[inchH <sub>2</sub> O]	[dB (A)]
<b>9WG5748P5G001</b>	48	2.91	8600	15.46	546	1000	4.02	78



## Splash Proof Centrifugal Fan



∅100×25 mm 9W2TM type

IP68

PWM

Pulse sensor



Model No.	Rated Voltage	Rated Current	Rated Speed	Max. Airflow		Max. Static Pressure		SPL
	[V]	[A]	[min <sup>-1</sup> ]	[m <sup>3</sup> /min]	[CFM]	[Pa]	[inchH <sub>2</sub> O]	[dB (A)]
<b>9W2TM24P4G001</b>	24	0.7	7400	2.03	71.7	708	2.84	65
<b>9W2TM48P4G001</b>	48	0.35	7400	2.03	71.7	708	2.84	65



∅100×25 mm 9W1TM type

IP54

PWM

Pulse sensor



Model No.	Rated Voltage	Rated Current	Rated Speed	Max. Airflow		Max. Static Pressure		SPL
	[V]	[A]	[min <sup>-1</sup> ]	[m <sup>3</sup> /min]	[CFM]	[Pa]	[inchH <sub>2</sub> O]	[dB (A)]
<b>9W1TM48P4G01</b>	48	0.36	7400	2.03	71.7	708	2.84	65



∅133×91 mm 9W2TJ type

IP68

PWM

Pulse sensor



Model No.	Rated Voltage	Rated Current	Rated Speed	Max. Airflow		Max. Static Pressure		SPL
	[V]	[A]	[min <sup>-1</sup> ]	[m <sup>3</sup> /min]	[CFM]	[Pa]	[inchH <sub>2</sub> O]	[dB (A)]
<b>9W2TJ24P0H001</b>	24	1.2	4150	6.39	225	395	1.59	61
<b>9W2TJ48P0H001</b>	48	0.55	4150	6.39	225	395	1.59	61



∅133×91 mm 9W1TJ type

IP54

PWM

Pulse sensor



Model No.	Rated Voltage	Rated Current	Rated Speed	Max. Airflow		Max. Static Pressure		SPL
	[V]	[A]	[min <sup>-1</sup> ]	[m <sup>3</sup> /min]	[CFM]	[Pa]	[inchH <sub>2</sub> O]	[dB (A)]
<b>9W1TJ24P0H61</b>	24	1.2	4150	6.39	225	395	1.59	61
<b>9W1TJ48P0H61</b>	48	0.55	4150	6.39	225	395	1.59	61



∅150×35 mm 9W2TN type

IP68

PWM

Pulse sensor



Model No.	Rated Voltage	Rated Current	Rated Speed	Max. Airflow		Max. Static Pressure		SPL
	[V]	[A]	[min <sup>-1</sup> ]	[m <sup>3</sup> /min]	[CFM]	[Pa]	[inchH <sub>2</sub> O]	[dB (A)]
<b>9W2TN24P1H001</b>	24	0.64	3800	3.83	135	390	1.57	59
<b>9W2TN48P1H001</b>	48	0.32	3800	3.83	135	390	1.57	59



∅150×35 mm 9W1TN type

IP54

PWM

Pulse sensor



Model No.	Rated Voltage	Rated Current	Rated Speed	Max. Airflow		Max. Static Pressure		SPL
	[V]	[A]	[min <sup>-1</sup> ]	[m <sup>3</sup> /min]	[CFM]	[Pa]	[inchH <sub>2</sub> O]	[dB (A)]
<b>9W1TN48P1H01</b>	48	0.32	3800	3.83	135	390	1.57	59



∅175×69 mm 9W2TGA type

IP56

PWM

Pulse sensor



Model No.	Rated Voltage	Rated Current	Rated Speed	Max. Airflow		Max. Static Pressure		SPL
	[V]	[A]	[min <sup>-1</sup> ]	[m <sup>3</sup> /min]	[CFM]	[Pa]	[inchH <sub>2</sub> O]	[dB (A)]
<b>9W2TGA48P0G001</b>	48	3.85	5700	17.3	611	1100	4.42	80

Splash Proof Fan / Splash Proof Centrifugal Fan

## Splash Proof Centrifugal Fan



∅175 × 69 mm 9W1TG type

IP54 PWM Pulse sensor

Model No.	Rated Voltage [V]	Rated Current [A]	Rated Speed [min <sup>-1</sup> ]	Max. Airflow [m <sup>3</sup> /min] [CFM]	Max. Static Pressure [Pa] [inchH <sub>2</sub> O]	SPL [dB (A)]
<b>9W1TG48P0H61</b>	48	0.65	3100	9.0 318	360 1.44	64



∅221 × 71 mm 9W2TP type

IP56 PWM Pulse sensor ECO PRODUCTS

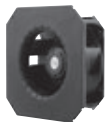
Model No.	Rated Voltage [V]	Rated Current [A]	Rated Speed [min <sup>-1</sup> ]	Max. Airflow [m <sup>3</sup> /min] [CFM]	Max. Static Pressure [Pa] [inchH <sub>2</sub> O]	SPL [dB (A)]
<b>9W2TP24P0H001</b>	24	3.35	3050	17.6 621	530 2.13	71.5
<b>9W2TP48P0S001</b>	48	2.3	3400	19.6 692	659 2.65	73.5



∅225 × 99 mm 9W2TS type

IP56 PWM Pulse sensor ECO PRODUCTS

Model No.	Rated Voltage [V]	Rated Current [A]	Rated Speed [min <sup>-1</sup> ]	Max. Airflow [m <sup>3</sup> /min] [CFM]	Max. Static Pressure [Pa] [inchH <sub>2</sub> O]	SPL [dB (A)]
<b>9W2TS48P0S001</b>	48	2.45	3000	23.5 830	635 2.55	72.0



270 × 270 × 99 mm 9B1W2TP type

IP56 PWM Pulse sensor

Model No.	Rated Voltage [V]	Rated Current [A]	Rated Speed [min <sup>-1</sup> ]	Max. Airflow [m <sup>3</sup> /min] [CFM]	Max. Static Pressure [Pa] [inchH <sub>2</sub> O]	SPL [dB (A)]
<b>9B1W2TP24P0H001</b>	24	3.35	3050	17.6 621	530 2.13	71.5
<b>9B1W2TP48P0S001</b>	48	2.3	3400	19.6 692	659 2.65	73.5



270 × 270 × 119 mm 9B1W2TS type

IP56 PWM Pulse sensor

Model No.	Rated Voltage [V]	Rated Current [A]	Rated Speed [min <sup>-1</sup> ]	Max. Airflow [m <sup>3</sup> /min] [CFM]	Max. Static Pressure [Pa] [inchH <sub>2</sub> O]	SPL [dB (A)]
<b>9B1W2TS48P0S001</b>	48	2.45	3000	23.5 830	635 2.55	72.0

## Splash Proof Blower



97 × 33 mm 9W1BM type

IP68 PWM Pulse sensor ECO PRODUCTS

Model No.	Rated Voltage [V]	Rated Current [A]	Rated Speed [min <sup>-1</sup> ]	Max. Airflow [m <sup>3</sup> /min] [CFM]	Max. Static Pressure [Pa] [inchH <sub>2</sub> O]	SPL [dB (A)]
<b>9W1BM12P2H001</b>	12	1.3	4800	1.09 38.5	540 2.17	58
<b>9W1BM24P2H001</b>	24	0.65	4800	1.09 38.5	540 2.17	58

## Oil Proof Fan



**40×40×15 mm 9WF type**



Model No.	Rated Voltage [V]	Rated Current [A]	Rated Speed [min <sup>-1</sup> ]	Max. Airflow [m <sup>3</sup> /min] [CFM]	Max. Static Pressure [Pa] [inchH <sub>2</sub> O]	SPL [dB (A)]
<b>9WF0424H701</b>	24	0.085	11300	0.195 6.9	80 0.32	38



**40×40×20 mm 9WFA type**



Model No.	Rated Voltage [V]	Rated Current [A]	Rated Speed [min <sup>-1</sup> ]	Max. Airflow [m <sup>3</sup> /min] [CFM]	Max. Static Pressure [Pa] [inchH <sub>2</sub> O]	SPL [dB (A)]
<b>9WFA0424G6001</b>	24	0.11	17000	0.31 10.9	170 0.68	48



**60×60×15 mm 9WF type**



Model No.	Rated Voltage [V]	Rated Current [A]	Rated Speed [min <sup>-1</sup> ]	Max. Airflow [m <sup>3</sup> /min] [CFM]	Max. Static Pressure [Pa] [inchH <sub>2</sub> O]	SPL [dB (A)]
<b>9WF0624H701</b>	24	0.12	6800	0.52 18.3	95 0.38	44



**60×60×20 mm 9WFA type**



Model No.	Rated Voltage [V]	Rated Current [A]	Rated Speed [min <sup>-1</sup> ]	Max. Airflow [m <sup>3</sup> /min] [CFM]	Max. Static Pressure [Pa] [inchH <sub>2</sub> O]	SPL [dB (A)]
<b>9WFA0624G6001</b>	24	0.16	7700	0.79 27.9	158 0.63	48



**60×60×25 mm 9WF type**



Model No.	Rated Voltage [V]	Rated Current [A]	Rated Speed [min <sup>-1</sup> ]	Max. Airflow [m <sup>3</sup> /min] [CFM]	Max. Static Pressure [Pa] [inchH <sub>2</sub> O]	SPL [dB (A)]
<b>9WF0624H401</b>	24	0.15	6500	0.67 23.6	97 0.38	41



**80×80×20 mm 9WFA type**



Model No.	Rated Voltage [V]	Rated Current [A]	Rated Speed [min <sup>-1</sup> ]	Max. Airflow [m <sup>3</sup> /min] [CFM]	Max. Static Pressure [Pa] [inchH <sub>2</sub> O]	SPL [dB (A)]
<b>9WFA0824G6001</b>	24	0.15	6000	1.44 50.8	105 0.42	48



**80×80×25 mm 9WF type**



Model No.	Rated Voltage [V]	Rated Current [A]	Rated Speed [min <sup>-1</sup> ]	Max. Airflow [m <sup>3</sup> /min] [CFM]	Max. Static Pressure [Pa] [inchH <sub>2</sub> O]	SPL [dB (A)]
<b>9WF0824S401</b>	24	0.16	4000	1.2 42.4	58 0.23	38

Splash Proof Centrifugal Fan / Splash Proof Blower / Oil Proof Fan