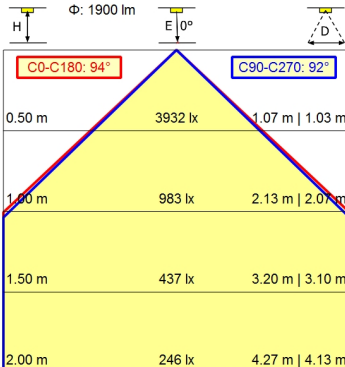
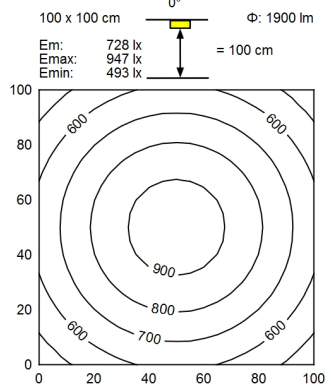
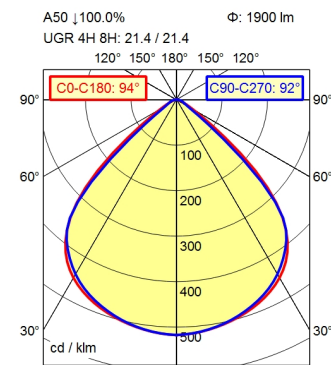


M12-A-5



| | |
|-------------------------------------|--|
| Light source | LED |
| Work equipment | Without |
| Connected load | 24 V; DC |
| Power consumption | ca. 14 W |
| Luminous flux | approx. 1.900 lm |
| Luminous efficiency | approx. 135 lm/W |
| Light type/color | Cold white |
| Colour temperatur | approx. 5.000 K |
| Color rendering index | CRI ≥ 80; R9 ≥ 10 |
| Light distribution | Direct; Symmetric |
| Beam angle | 92° |
| Chromaticity tolerance LED | < 3 SDCM |
| Glare control | Screen |
| Luminance (L65) | ≤ 4.200 cd/m ² |
| Unified glare rating (4H 8H) | ≤ 22 |
| System of protection | IP 67 |
| Class of protection | III |
| Technology | Multi-stage switchable |
| Operation | External |
| Housing | Aluminium; Anodised; Aluminium coloured anodised Borosilicate |
| Light source cover | |
| Weight (net) | ca. 1,5 kg |
| Mains lead | Built-in plug; M12-A-5 |
| Design | mounted version |
| Fastening | Screws |
| Dimension | A = 227,5 mm, C = 207,5mm |
| Minimum ambient temperature | 0 °C |
| Maximum ambient temperature | 50 °C |
| Special features | ADVANCED package |

