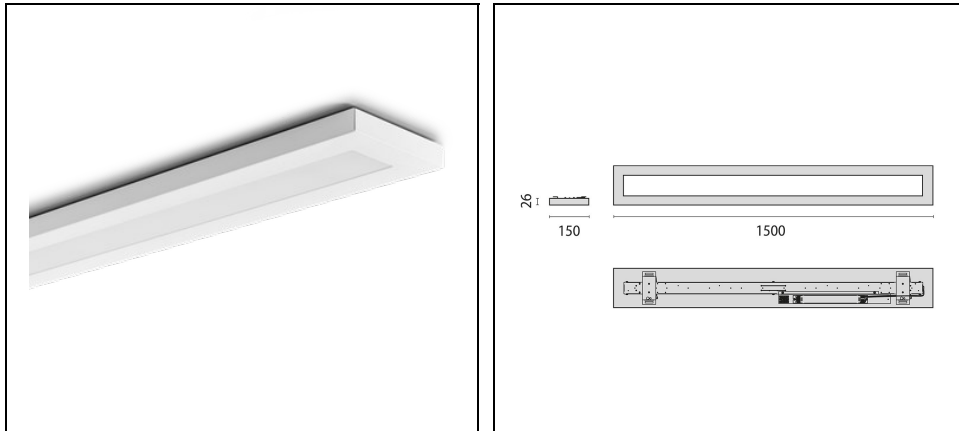


FLEXILED SM OPAL

Part number 3122561



Description

Indoor surface mounted luminaire, comprising:

- Housing made of form-stable 1.0 mm sheet steel
- Impact-resistant, impression-resistant powder coating
- Opal PMMA diffuser for optimal light distribution and uniformity
- Reliable and low-maintenance 50,000h L80B10
- Colour tolerance according to MacAdam ≤ 3 SDCM
- 2 power levels adjustable
- Special colour versions available. Consult factory

To maintain the regular updating of our products, PERFORMANCE iN LIGHTING reserves the right to make changes without prior notice. For the most up to date information we always recommend you read the latest version published on the website www.performanceinlighting.com. Delivered luminaire lumen outputs and power consumptions, including losses, are subject to a tolerance of +/- 7%, and unless otherwise stated the values apply to an ambient temperature of 25°C. Terms of warranty are available at <https://www.performanceinlighting.com/qr/company/led-warranty>

Product data

ETIM Group:	EG000027	ETIM Class:	EC002892
-------------	----------	-------------	----------

General information

Lampholder:	LED	Light source:	LED
Lightsource lumen output [lm]:	2560/4200	Luminaire lumen output [lm]:	2170/3560
Luminaire wattage [W]:	14/24 W	Luminous efficacy [lm/W]:	155
CRI:	80	Colour temperature [K]:	4000
Colour / Finishing:	WH-RAL9016 / White RAL9016 / Textured	IP degree of protection:	IP20
IK-J-xxIP:	IK05 0.7J xx3	Protection class:	I
Optic:	S/A - Symmetric direct	Beam angle:	2 x 55°
Net weight [kg]:	4.322	Overall length [mm]:	1500
Overall width [mm]:	150	Overall height [mm]:	12

Mechanical features

Shape:	Rectangular	Housing material:	Aluminium
Diffuser material:	Opal plastic	Glow wire test [°C]:	650 °C

Electrical features

Voltage type:	AC	Input voltage [V AC]:	220/240
Input frequency [Hz]:	220-240V 50/60Hz	Power factor / COS Φ:	0.9

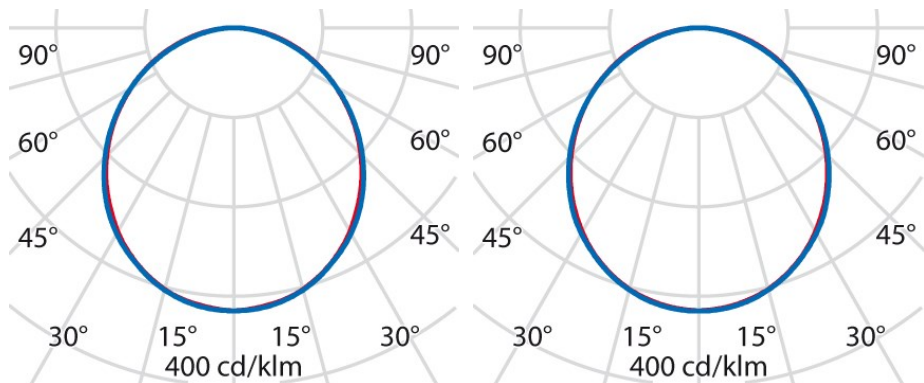
Installation

Application area:	Indoor	Mounting type:	Ceiling surface
Min. ambient temperature [°C]:	10	Max. ambient temperature [°C]:	40

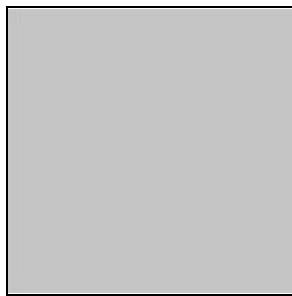
Light features

MacAdam:	3	Lumen maintenance:	L80B10@50000h
DFF - Downward Flux Fraction [%]:	100	UFF - Upward Flux Fraction [%]:	0

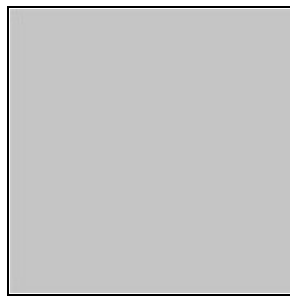
Photometric data

**3124221**
 WH-RAL9016 / White RAL9016

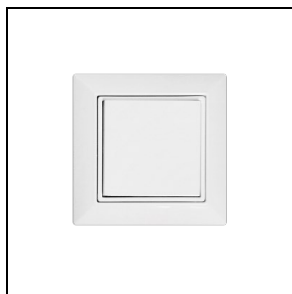
Optional accessories

FLEXILED SM
**3122577**

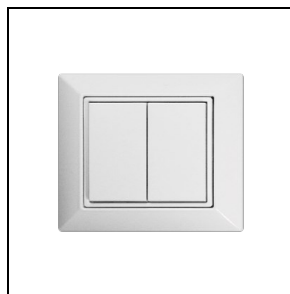
Mounting template

 GR-94 / Metallic grey
**3122584**

Casambi module for installation

**3122586**

Single wireless wall switch

 WH-87 / White
**3122587**

Double wireless wall switch

 WH-87 / White

To maintain the regular updating of our products, PERFORMANCE iN LIGHTING reserves the right to make changes without prior notice. For the most up to date information we always recommend you read the latest version published on the website www.performanceinlighting.com. Delivered luminaire lumen outputs and power consumptions, including losses, are subject to a tolerance of +/- 7%, and unless otherwise stated the values apply to an ambient temperature of 25°C. Terms of warranty are available at <https://www.performanceinlighting.com/gr/company/led-warranty>