

light source

work equipment

connected load

Power consumption

luminous flux

luminous efficacy

light distribution

colour temperature

color rendering index (CRI)

glare control

System of protection

class of protection

technology

operation

luminaire body

lamp cover

weight (net)

mains supply

design

Fastening

dimension

special features

LED

Energy efficiency category A/A+/A++

without

22-26 V; DC

approx. 12 W

approx. 1260 lm

approx. 105 lm/W

direct

neutral white, approx. 5000 K

>= 80

screen

IP54

III

switchable

external

aluminium/plastic, anodised; painted, aluminium coloured

anodised

Acrylic satine

approx. 0.3 kg

built-in plug

M12-A-5

mounted version

bracket

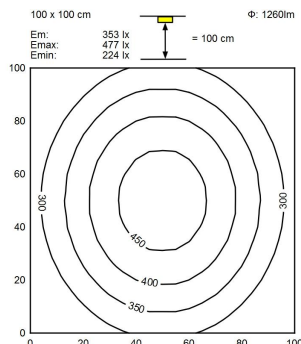
A=615mm, C=570mm, C1=600mm

through-wired



M12-A-5

illuminance



luminous intensity

