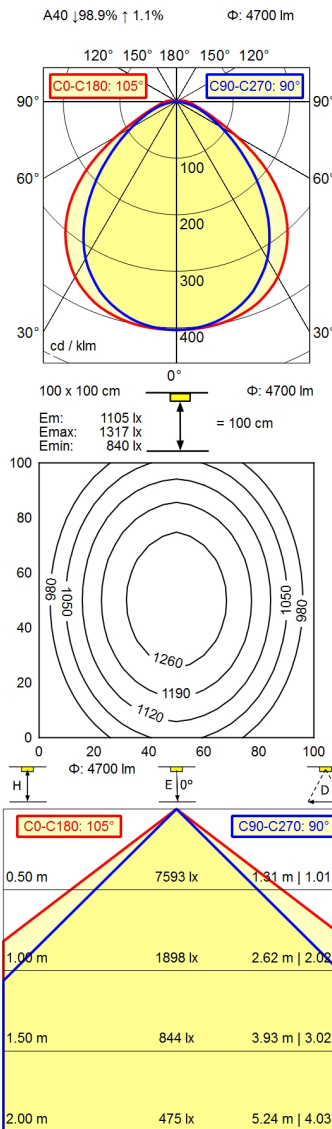


ST16/2 BS



light source
 work equipment
 connected load
 power consumption
 luminous flux
 luminous efficiency
 light type/-color
 colour temperatur
 color rendering index
 light distribution
 direct ratio
 beam angle
 chromaticity tolerance LED
 glare control
 luminance (L65)
 system of protection
 class of protection
 technology
 operation
 housing
 light source cover
 weight (net)
 mains lead
 fastening
 dimension
 light output
 side part
 maximum ambient temperature

LED
 Without
 22 - 26 V; DC
 ca. 62,5 W
 approx. 4.700 lm
 approx. 74 lm/W
 Cold white
 approx. 5.000 K
 CRI ≥ 80
 Direct
 approx. 99 %
 100°
 < 4 SDCM
 Diffuser foil
 ≤ 14.000 cd/m²
 IP 67
 III
 Switchable; -
 External
 Borosilicate glass
 Borosilicate
 ca. 5,9 kg
 Built-in plug; ST16/2 BS
 Pipe clamp (accessory)
 A=1490 mm
 D=1436 mm
 A with screwed cable gland
 40 °C