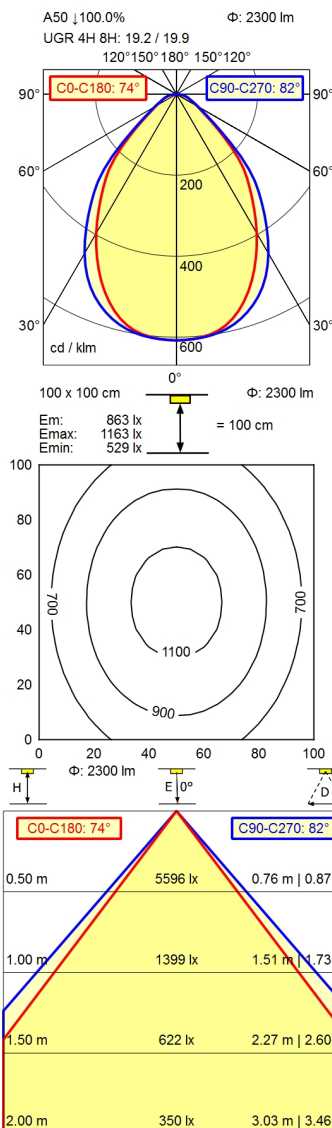


CEE 7/VII



- Light source**
- Work equipment**
- Connected load**
- Power consumption**
- Luminous flux**
- Luminous efficiency**
- Light type/-color**
- Colour temperatur**
- Color rendering index**
- Light distribution**
- Direct ratio**
- Beam angle**
- Chromaticity tolerance LED**
- Glare control**
- Luminance (L65)**
- Unified glare rating (4H 8H)**
- System of protection**
- Class of protection**
- Technology**
- Operation**
- Housing**
- Light source cover**
- Weight (net)**
- Mains lead**
- Design**
- Fastening**
- Decorative contrast side parts**

- LED
- Electronic ballast dimable digital
- 220 - 240 V; AC; 50 Hz; 60 Hz
- ca. 32 W
- approx. 2.300 lm
- approx. 71 lm/W
- adjustable white
- approx. 3.000 - 6.500 K
- CRI  $\geq$  90; R9  $\geq$  50
- Direct; Symmetric
- approx. 100 %
- 75°
- < 3 SDCM
- Conical prismatic screen
- $\leq$  3.800 cd/m<sup>2</sup>
- $\leq$  22
- IP 20
- I
- Continuously dimmable; Radio-controlled; -
- External
- Aluminium/plastic; Anodised; Aluminium coloured anodised
- Structured; Plastic
- ca. 4,3 kg
- ca. 3 m; Mains plug; CEE 7/VII
- mounted version
- Screw down lash
- Black

# Workplace-system luminaire Tameto SAHQ 66 RC

114261000-00805757

