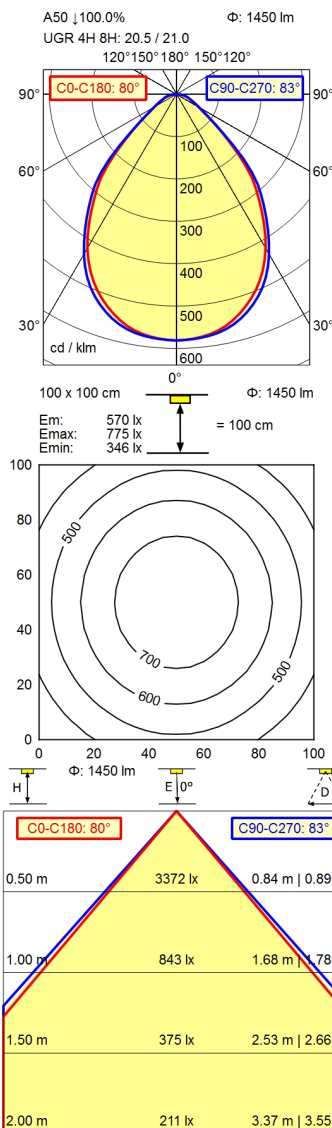


CE



CEE 7/VII

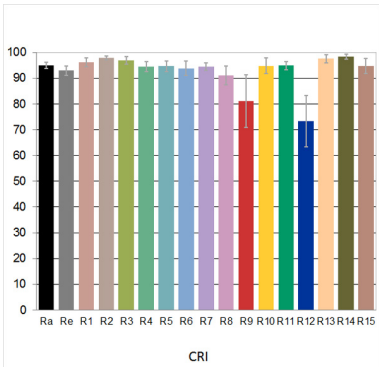
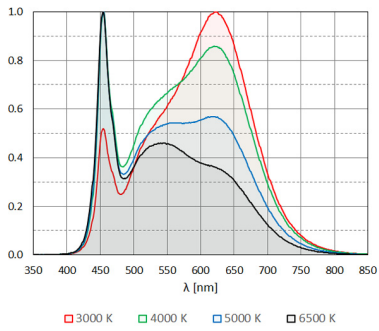


- Light source**
- Work equipment**
- Connected load**
- Power consumption**
- Luminous flux**
- Luminous efficiency**
- Light type/-color**
- Colour temperatur**
- Color rendering index**
- Light distribution**
- Direct ratio**
- Beam angle**
- Chromaticity tolerance LED**
- Glare control**
- Luminance (L65)**
- Unified glare rating (4H 8H) <sup>1)</sup>**
- System of protection**
- Class of protection**
- Technology**
- Operation**
- Housing**
- Light source cover**
- Weight (net)**
- Mains lead**
- Design**
- Fastening**
- Dimensions**
- Decorative contrast side parts**

- LED
- Electronic ballast dimable digital
- 220 - 240 V; AC; 50 Hz; 60 Hz
- ca. 23 W
- approx. 1.450 lm
- approx. 63 lm/W
- adjustable white
- approx. 3.000 - 6.500 K
- CRI  $\geq$  90; R9  $\geq$  50
- Direct; Symmetric
- approx. 100 %
- 80°
- < 3 SDCM
- Conical prismatic screen
- $\leq$  5.200 cd/m<sup>2</sup>
- $\leq$  22
- IP 20
- I
- Continuously dimmable; Radio-controlled; -
- External
- Aluminium/plastic; Anodised; Aluminium coloured
- anodised
- Structured
- ca. 2,4 kg
- ca. 3 m; Mains plug; CEE 7/VII
- mounted version
- Screw down lash
- 456 mm; 187 mm; 50 mm
- Black

# Workplace-system luminaire Tameto SAHKQ 60 RC

114259000-00805715



1) according to DIN EN 12464-1:2021