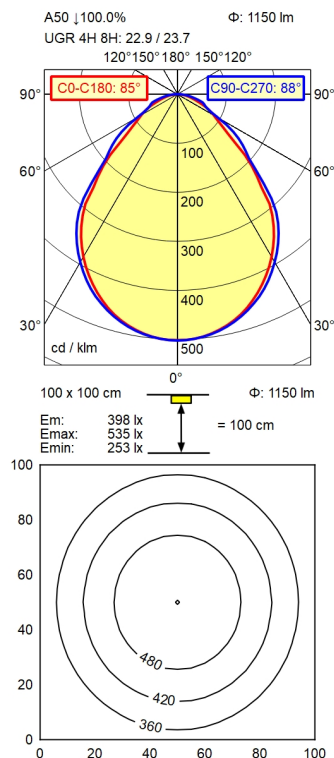


CE



GST 18i3F REV



Light source	LED
Work equipment	Power supply unit
Connected load	220 - 240 V; AC; 50 Hz; 60 Hz
Power consumption	ca. 15 W
Luminous flux	approx. 1.150 lm
Luminous efficiency ¹⁾	approx. 76 lm/W
Light type/-color	Cold white
Colour temperatur	approx. 5.000 K
Color rendering index	CRI \geq 80
Light distribution	Direct
Direct ratio	approx. 100 %
Beam angle	85° / 88°
Chromaticity tolerance LED	< 3 SDCM
Glare control	Prism aperture
Luminance (L65)	\leq 13.000 cd/m ²
UGR class (4H 8H; EN 12464-1)	\leq 25
System of protection/Class	IP 20; C I
Technology	Switchable; -
Operation	Rocker switch
Emergency lighting	none
Housing	Aluminium/plastic; Anodised; Aluminium coloured anodised Structured
Light source cover	
Mains lead	Built-in plug; GST 18i3F REV
Design	mounted version
Fastening	Lamp bracket (accessory)
Decorative contrast side parts	Dusty grey
EAN	4013330090685
Weight without/incl. packaging	ca. 1,6 kg; 2 kg
Packaging dimensions	ca. 600; 200; 110
Special features	Mounting left

¹⁾ For luminaires with separate control gear, the luminous efficacy refers to the luminaire head without control gear