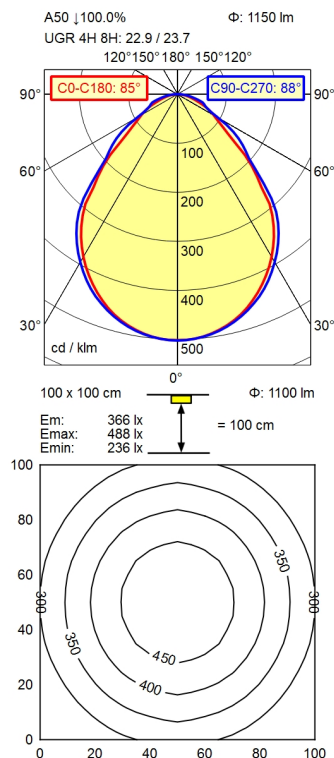


CE



GST 18i3F REV



Light source

Work equipment

Connected load

Power consumption

Luminous flux

Luminous efficiency ¹⁾

Light type/-color

Colour temperatur

Color rendering index

Light distribution

Direct ratio

Beam angle

Chromaticity tolerance LED

Glare control

Luminance (L65)

UGR class (4H 8H; EN 12464-1)

System of protection

Class of protection

Technology

Operation

Emergency lighting

Housing

Light source cover

Mains lead

Design

Fastening

Decorative contrast side parts

EAN

Weight incl. packaging

Packaging dimensions

Special features

LED

Power supply unit

220 - 240 V; AC; 50 Hz; 60 Hz

ca. 15 W

approx. 1.150 lm

approx. 76 lm/W

Cold white

approx. 5.000 K

CRI \geq 80

Direct

approx. 100 %

85° / 88°

< 3 SDCM

Prism aperture

\leq 13.000 cd/m²

\leq 25

IP 20

I

Continuously dimmable; DALI

Rocker switch

none

Aluminium/plastic; Anodised; Aluminium coloured
anodised
Structured

Built-in plug; GST 18i3F REV

mounted version

Lamp bracket (accessory)

Dusty grey

4013330110901

ca. 2 kg

ca. 600; 200; 110

Mounting right

¹⁾ For luminaires with separate control gear, the luminous efficacy refers to the luminaire head without control gear